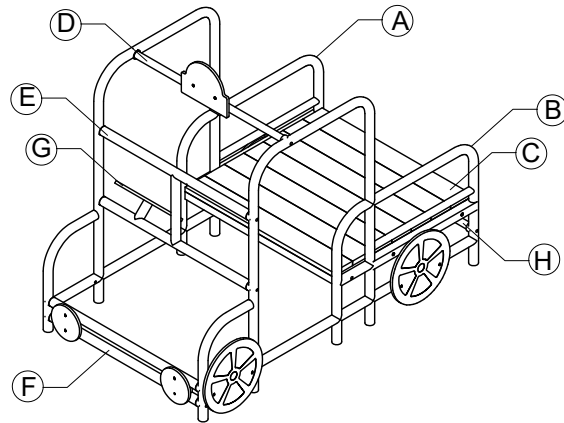
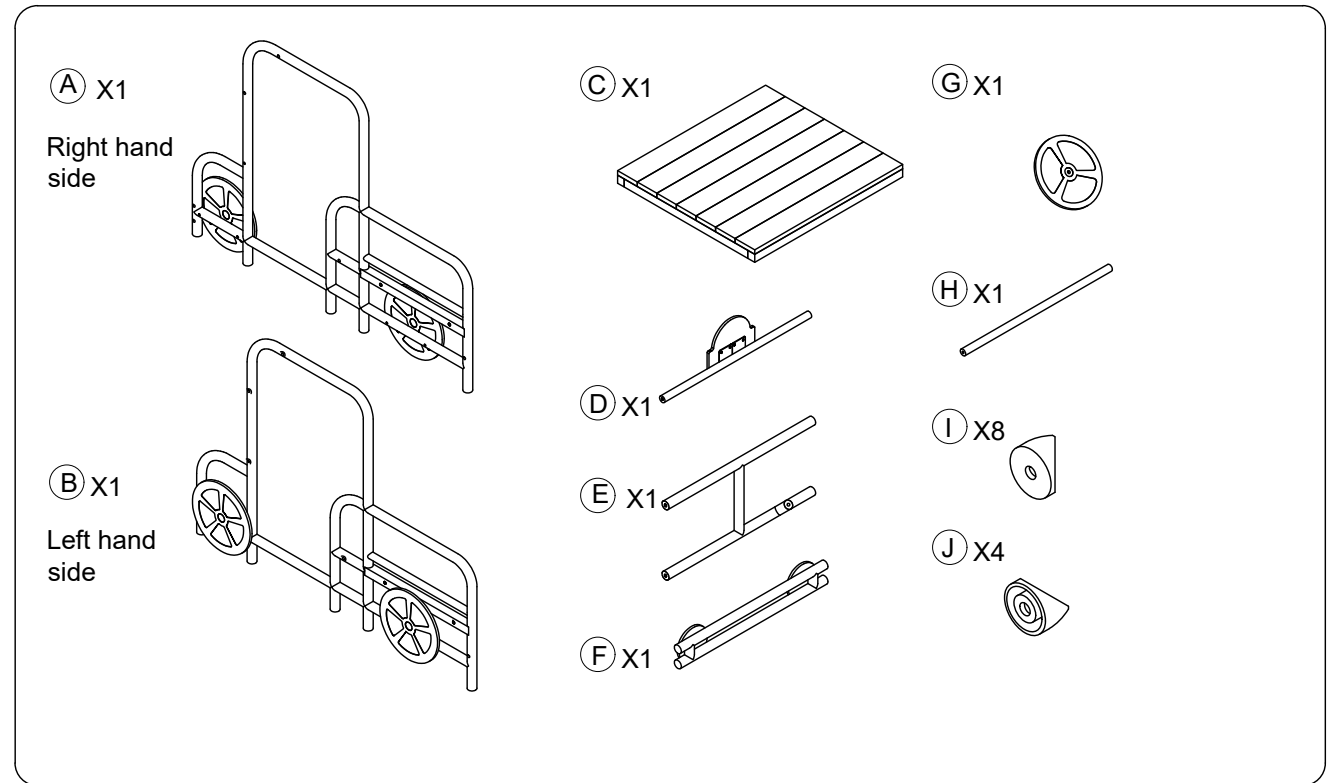




# YJ001316-V02(DMP1316) Fire Engine Play Vehicle



## PART LIST



### Note:

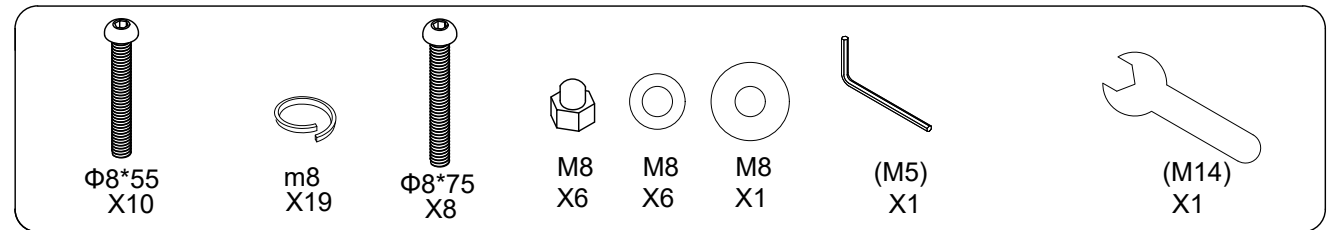
To Assist with your assembly, assistance videos are available online. Go to [www.teaching.com.au](http://www.teaching.com.au) and enter item code.



### WARNING:

- Contains small parts, sharp points and edges.
- Adult assembly required for assembly.
- A minimum of two adults are recommended for assembly, with three people being of benefit for some assembly steps.
- Never leave children unattended.
- Do not place unit near high heat or moisture.
- Adult supervision recommended.
- Clean with a moist cloth.

## HARDWARE



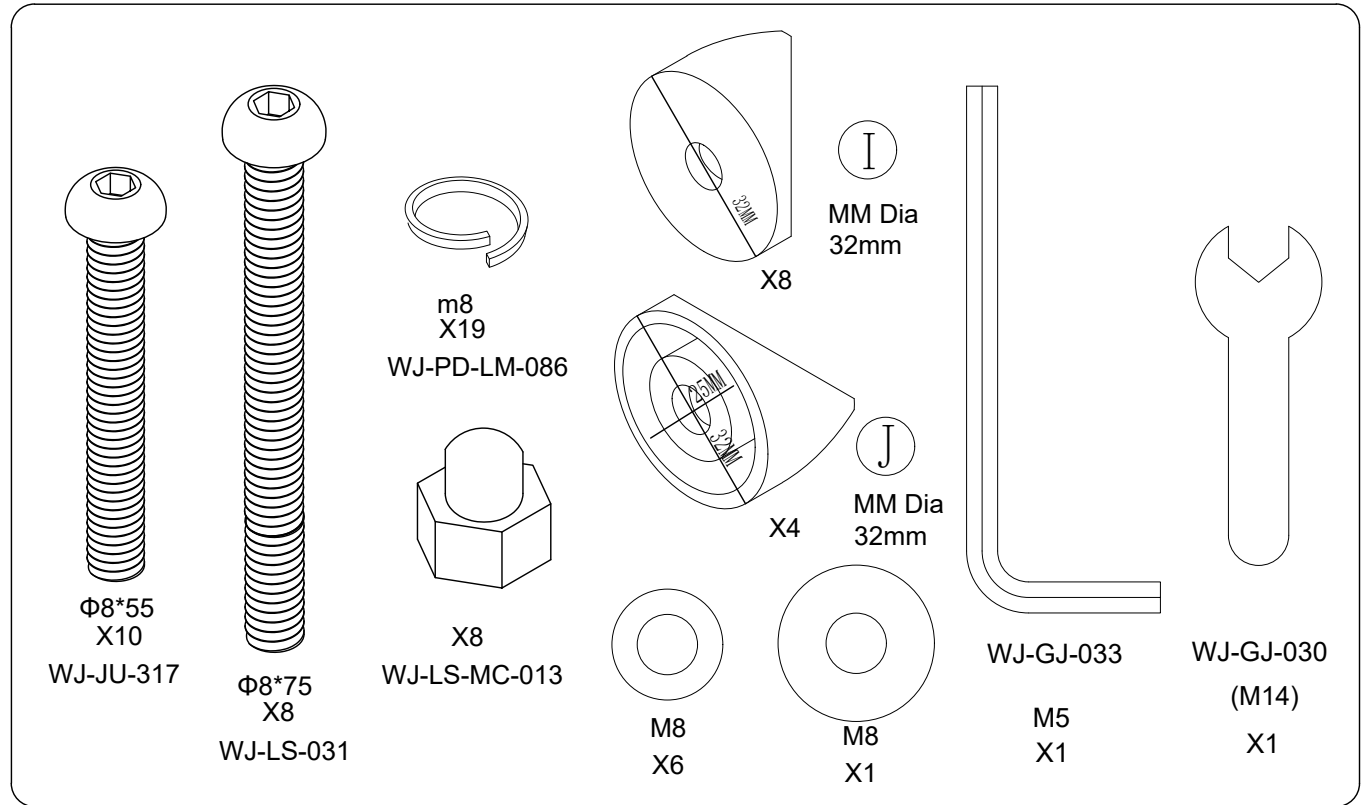
**TIP!**  
DO NOT FULLY TIGHTEN SCREWS UNTIL ALL SCREWS HAVE BEEN LOOSELY POSITIONED.

**BEFORE ASSEMBLING,** MAKE SURE THERE ARE NO MISSING PARTS.

**NOTICE:**  
ELECTRIC DRILLS MAY BE USED FOR ASSEMBLY. ENSURE APPROPRIATE SIZE DRILL BITS ARE USED. AND DRILL IS USED ON A SLOW AND LOW TORQUE SETTING.

**HARDWARE LIST(1:1)**

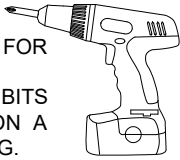
**YJ001316-V02(DMP1316)**



**TIP!**  
DO NOT FULLY  
TIGHTEN SCREWS  
UNTIL ALL SCREWS  
HAVE BEEN LOOSELY  
POSITIONED.

**BEFORE  
ASSEMBLING,  
MAKE SURE THERE  
ARE NO  
MISSING PARTS.**

**NOTICE:**  
ELECTRIC DRILLS MAY BE USED FOR  
ASSEMBLY.  
ENSURE APPROPRIATE SIZE DRILL BITS  
ARE USED. AND DRILL IS USED ON A  
SLOW AND LOW TORQUE SETTING.



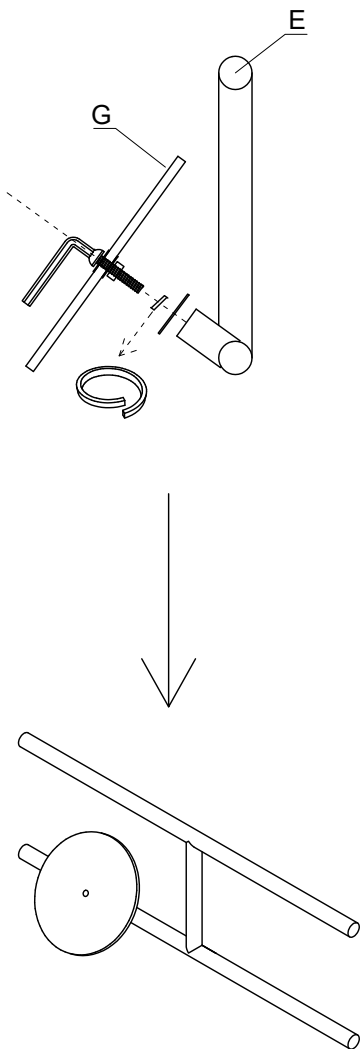
1



M8  
X1



M8  
X1

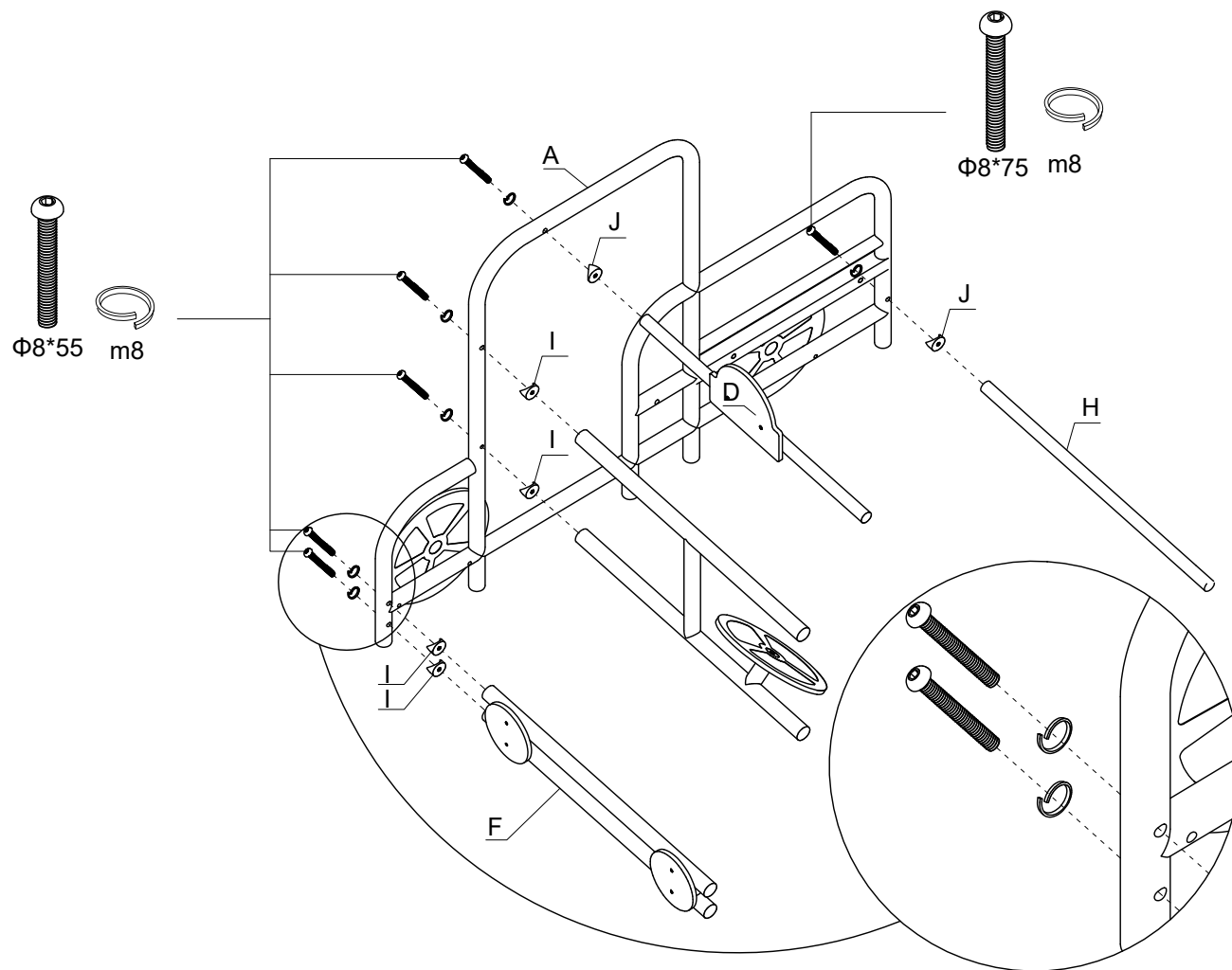


2

$\Phi 8 \times 55$   
X5

m8  
X6

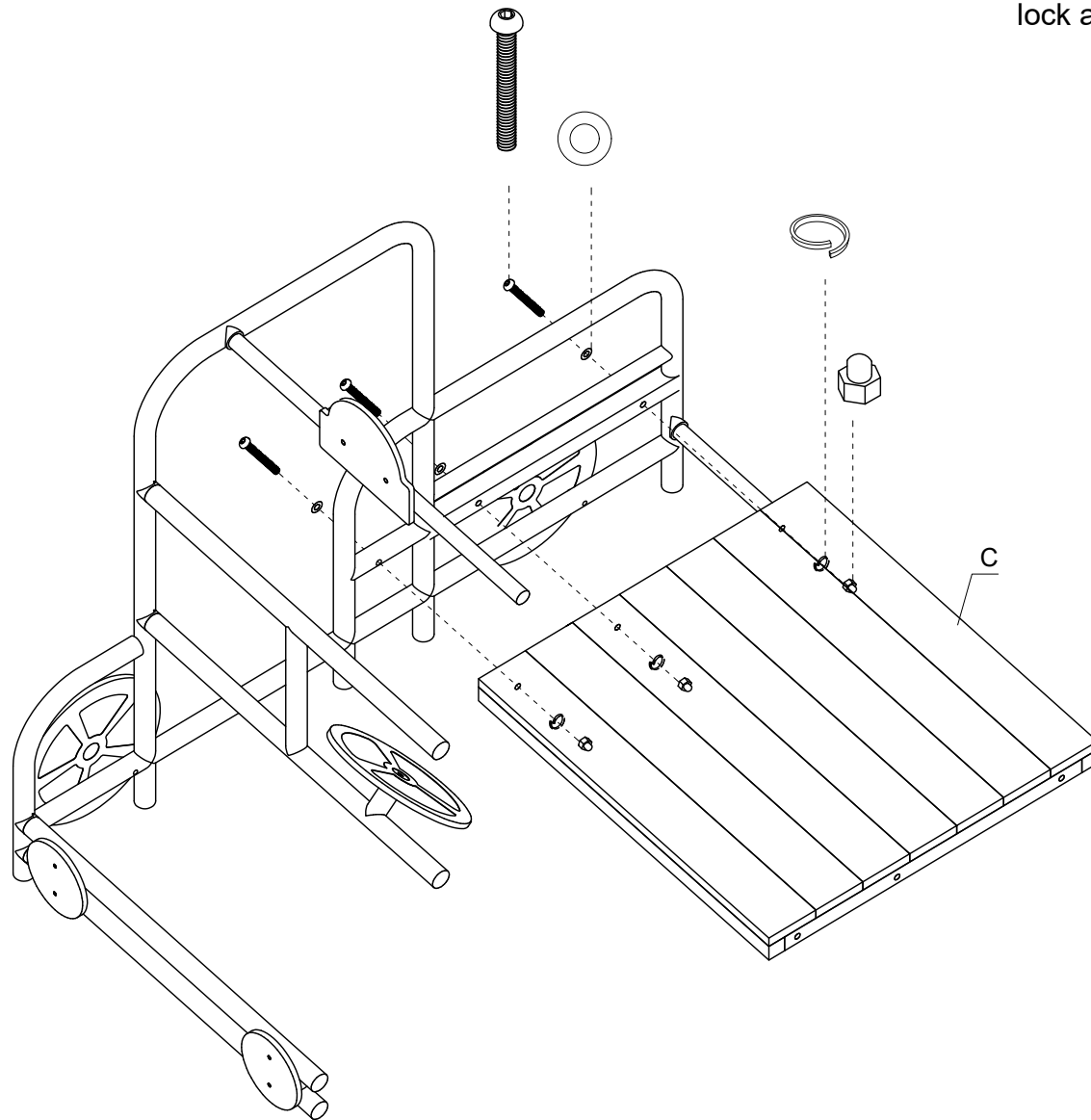
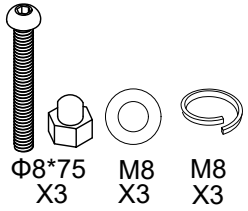
$\Phi 8 \times 75$   
X1



**CAUTION:**

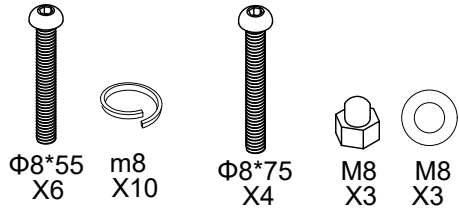
once assembled, carefully tip frame onto its side as shown. ensure ground is either soft fall surface, or protected by a soft material such as carboard or blanket to avoid frame scratching.

3

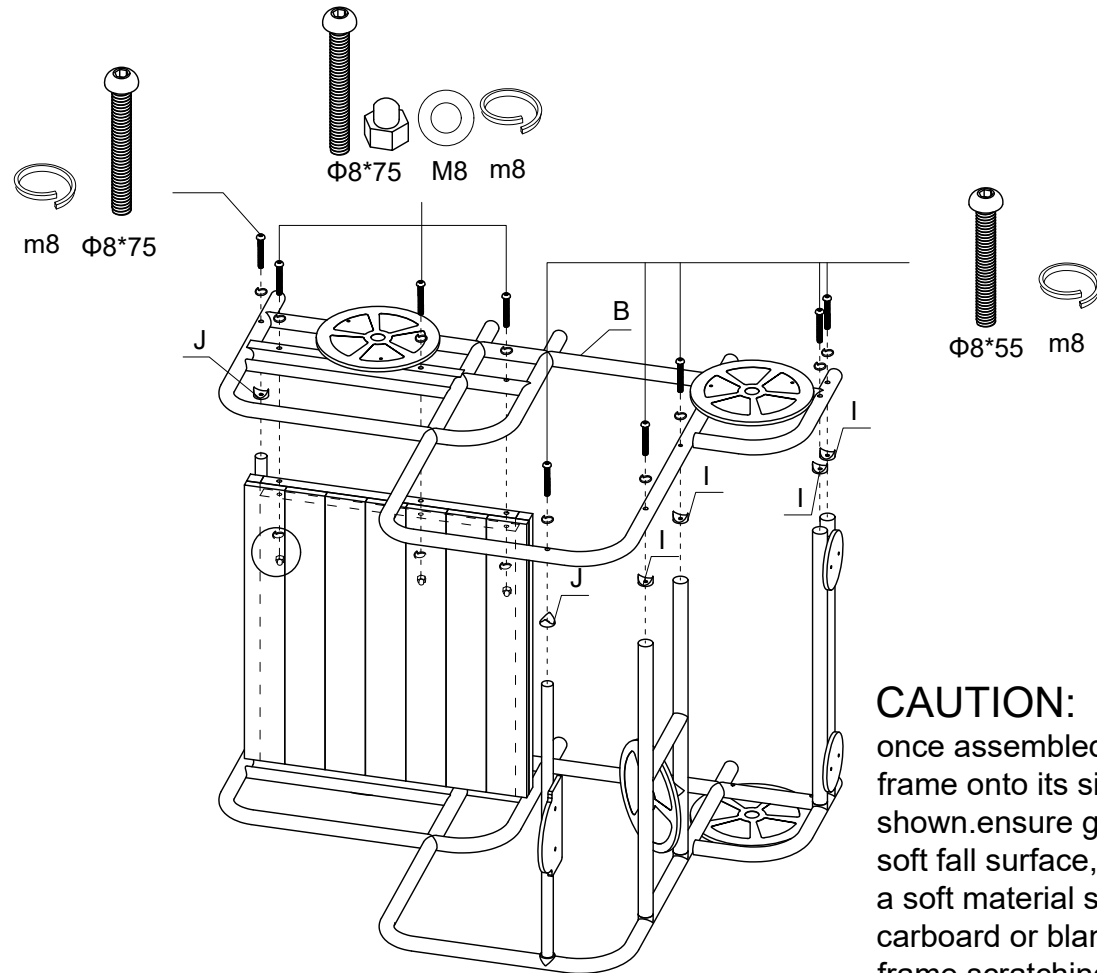


When assemble part "C" suggest that 3 persons to work together ,one person hold part "A", one person hold part "C", another one lock all screws

4



Carefully lower and align frame left hand side part B onto assembled frame. with one person supporting the frame, the other person can add the screws with washers as shown. hand tighten. slowly tip assembled frame to upright position, and check all screws are sufficiently tightened.



**CAUTION:**  
once assembled, carefully tip frame onto its side as shown. ensure ground is either soft fall surface, or protected by a soft material such as carboard or blanket to avoid frame scratching.

**Note:**  
To Assist with your assembly, assistance videos are available online. Go to [www.teaching.com.au](http://www.teaching.com.au) and enter item code.

**CAUTION:**

**CARE AND CLEANING**

- Removal of assembly aids before the item is used.
- Check for loose or worn parts periodically and tighten or replace as necessary.

**1 YEAR LIMITED WARRANTY**

**WARRANTY**  
This product is supported by a one year manufacturer's warranty against defects and workmanship for both the frame and any associated parts. Within the warranty period, the manufacturer will replace or repair any defective part free of charge. This warranty period commences at the date of purchase of the product by the original purchaser and extends only to the original purchaser. Should the entire product or part of the product require replacement, warranty on the replacement product or parts are covered for a period of 12 months from the purchase date of the original product, not from the dispatch date of the replacement product or parts. This warranty does not cover damage caused by abuse, abnormal or improper use. This warranty does not cover general wear, tear and product aging, misuse of the product, incorrect assembly, improper maintenance or acts of god (such as damage caused by flooding). This produce come with guarantees that cannot be excluded under consumer law. You are entitled to a replacement or refund for a major failure and for compensation for any other reasonably foreseeable loss or damage. You are also entitled to have the goods repaired or replaced if the goods fail to be of acceptable quality and the failure does not amount to a major failure.

Record the manufacture date here. Information is located on a label enclosed, and on the shipping carton. Place label and this sheet in an accessible place.

Model Number: **YJ001316-V02(DMP1316)**

Manufacture Date: \_\_\_\_\_

Fasten your Hex Key Tool in the box below and keep in a convenient place for future use.

