

Aluminium Easel Assembly Guide

WARNING



This is not a safety device
DO NOT LEAVE CHILDREN UNATTENDED
Incorrect installation may result in instability & weakness
Keep plastic bags away from children

PRODUCT NOTICE

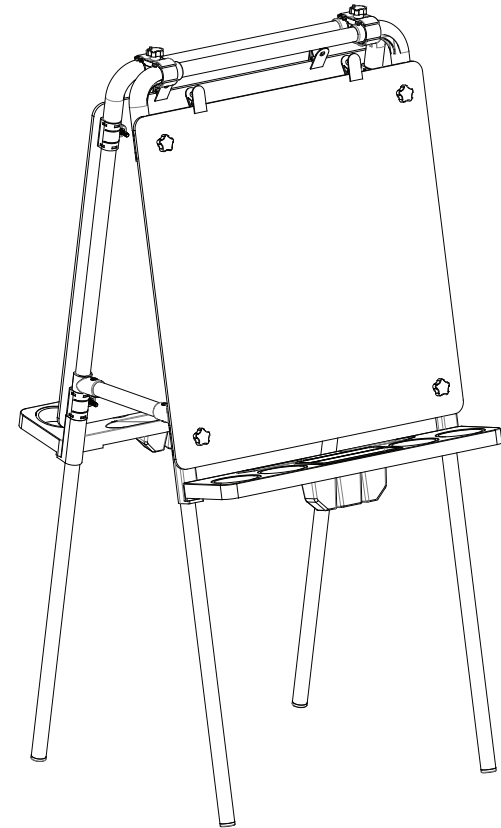


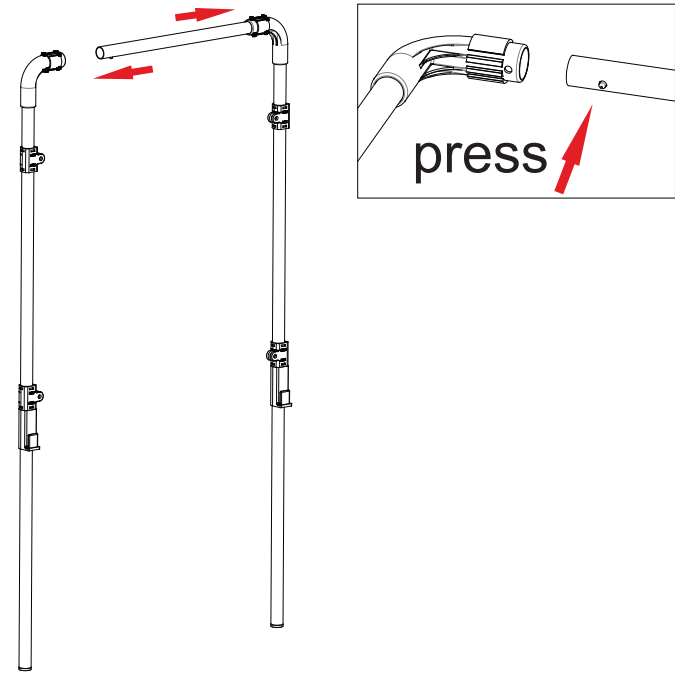
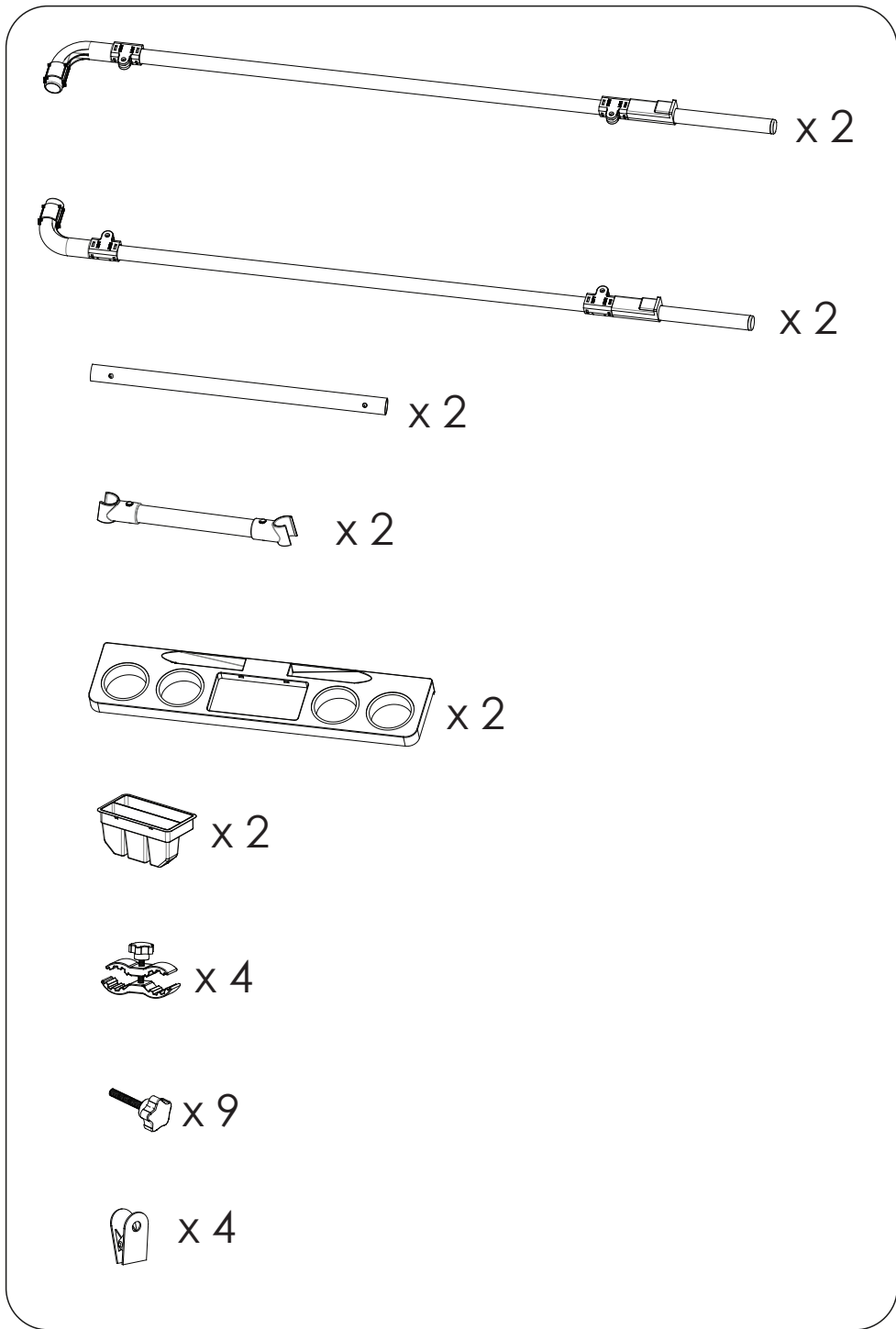
This easel is made of aluminium and suitable for indoor and outdoor use
The design allows for multiple construction configurations
Multiple sets are required to make the additional pictured configurations
Regularly check & tighten all screws
Wipe clean with a dry or slightly damp cloth

SAFETY FEATURES

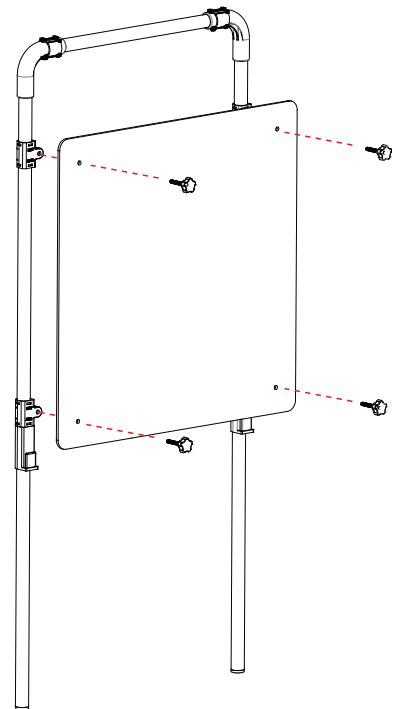


Certified toxin free
More stable due to stronger joints



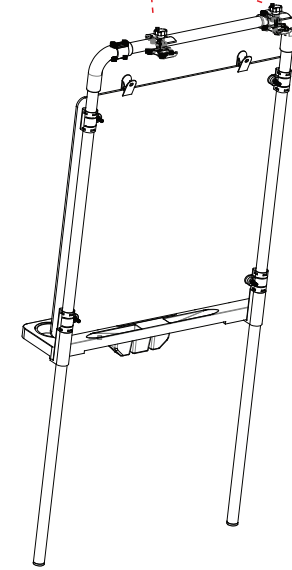
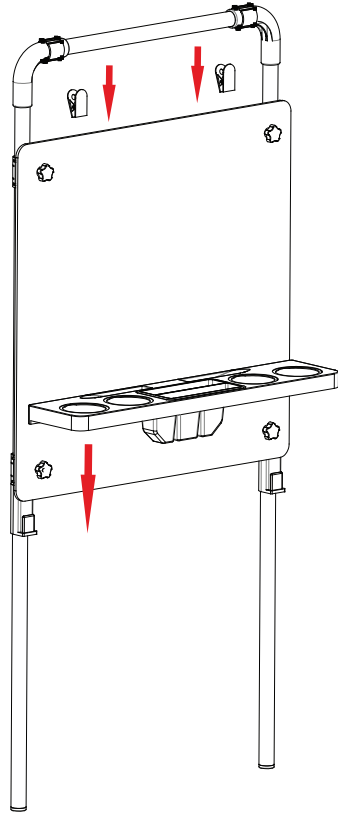
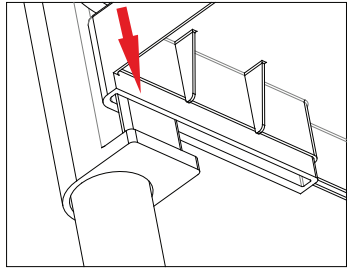


1



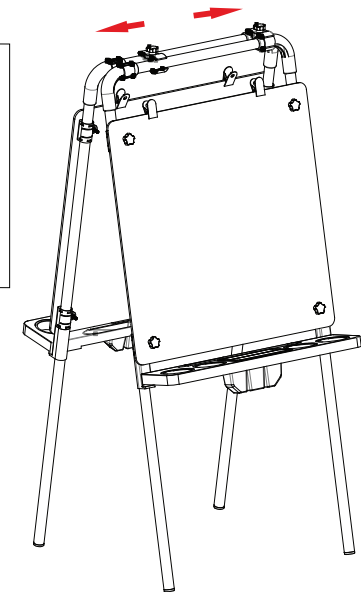
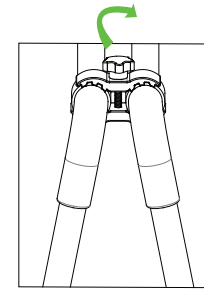
2

3



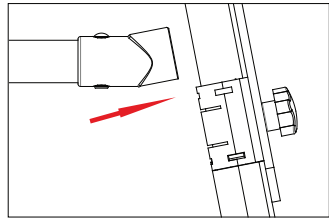
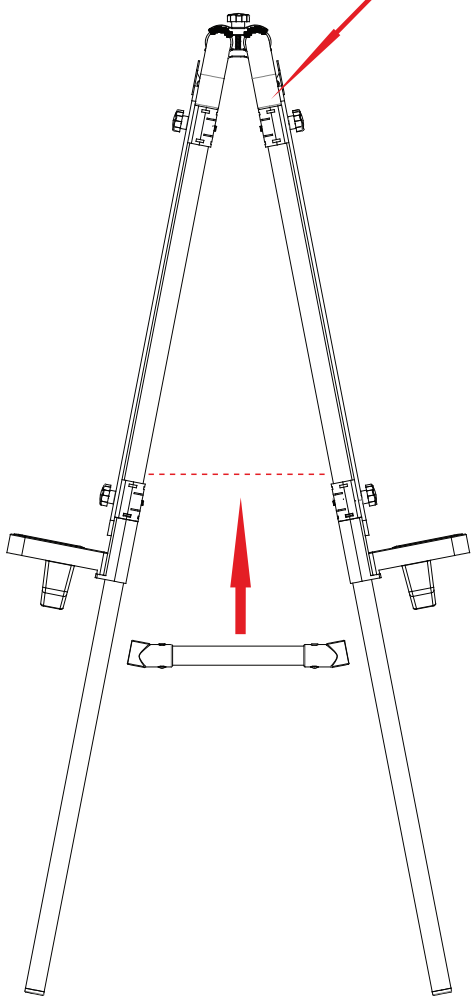
4A

4B

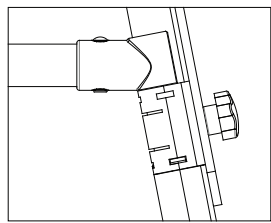


4C

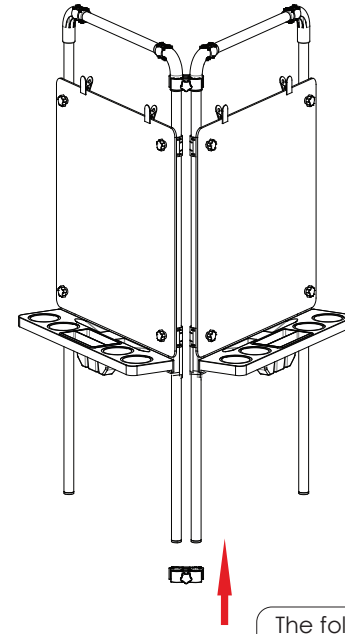
Make sure to assemble the board at the top position before putting the support bar on



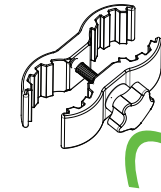
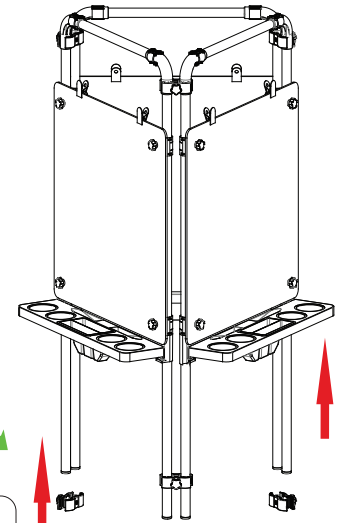
Assemble the support bar directly on top on the bottom plastic board mount



5A



5B



The following steps only apply if you purchased and assemble a 3-sided easel, or bigger

