

Tools

Allen Key (supplied)

Check List

Familiarise yourself with the contents

Check there is nothing missing

Check you have all the tools required

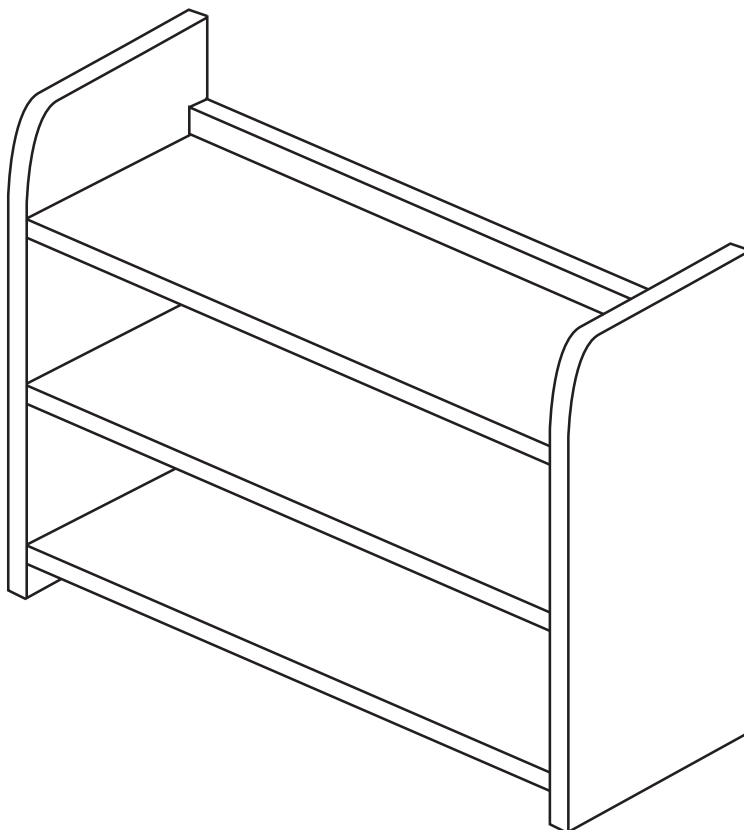
Make room to assemble the product

Assembly Instructions

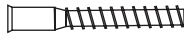
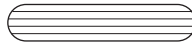

3 SHELF BOOKCASE

Code: BOOK3 and MAPBOOK3

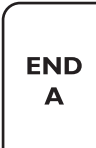





Before starting to assemble this unit please read the step by step assembly instructions carefully.



Contact Number
0151 479 3030

Components		Quantity
Confirmat Screws		25
30 x 6mm Dowels		12
Allen Key		1
Glue		1
U-Channel		2

IMPORTANT – Apply a small amount of glue in to the dowel holes before dowels are inserted.

Panels	Quantity	Size (mm)
 	2	725x300mm
	1	868x600mm
	2	868x280mm
	1	868x265mm
	1	868x50mm

**Contact Number
0151 479 3030**

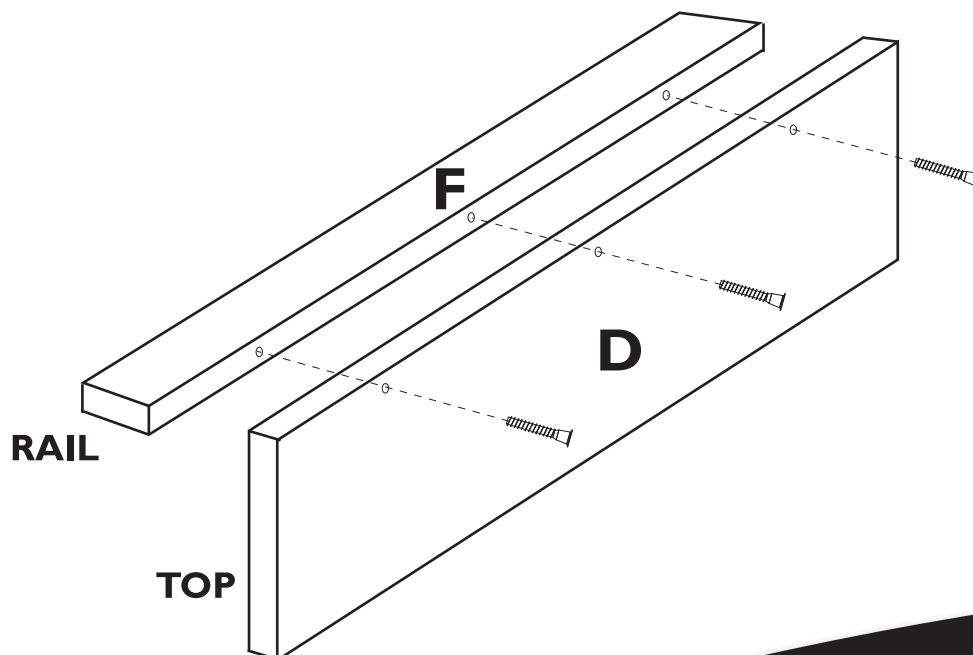
Step 1

Push dowels to bottom of holes.



Step 2

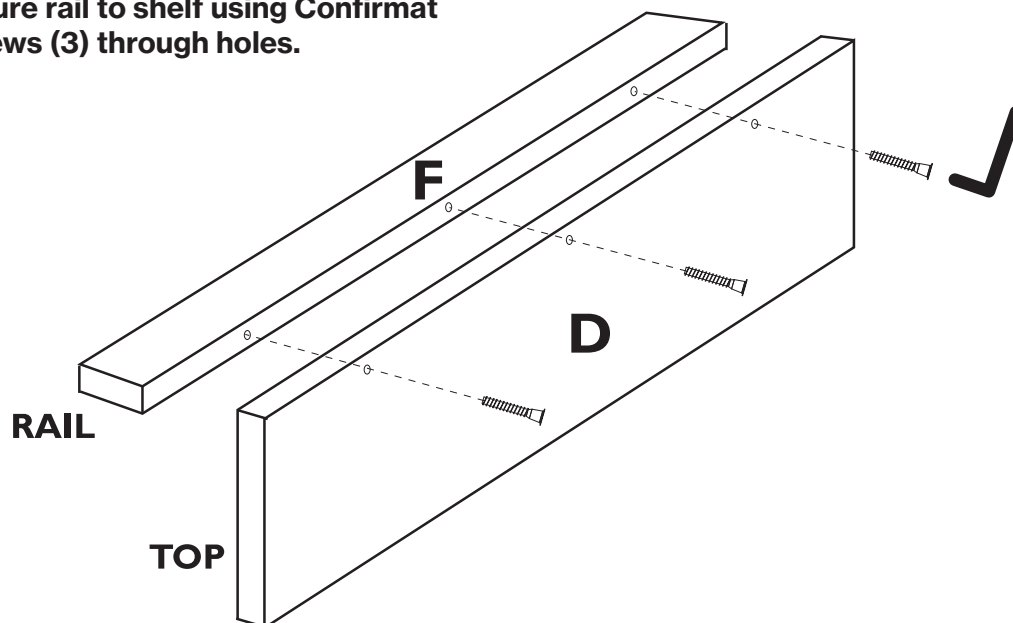
Secure rail to top using Conformat Screws through counter sunk holes.



Contact Number
0151 479 3030

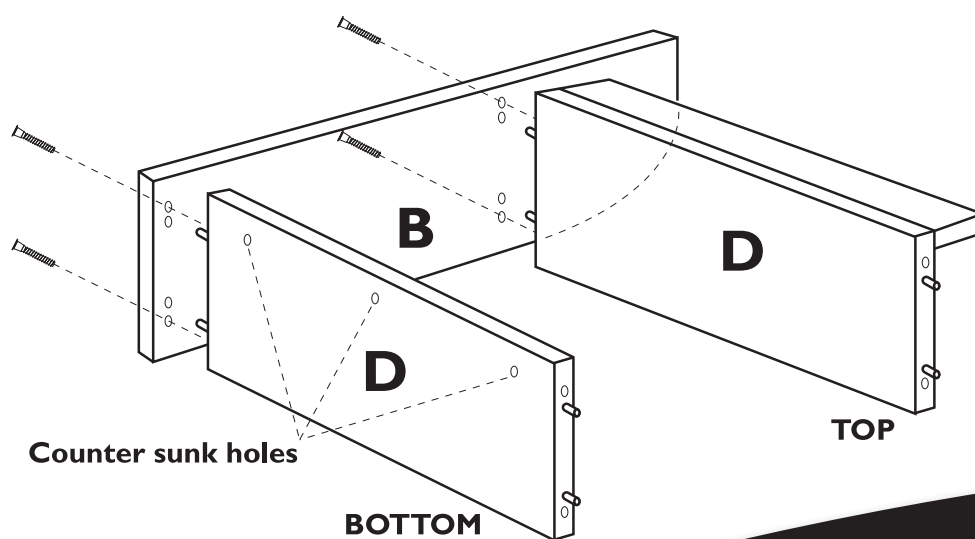
Step 3

Secure rail to shelf using Conformat Screws (3) through holes.



Step 4

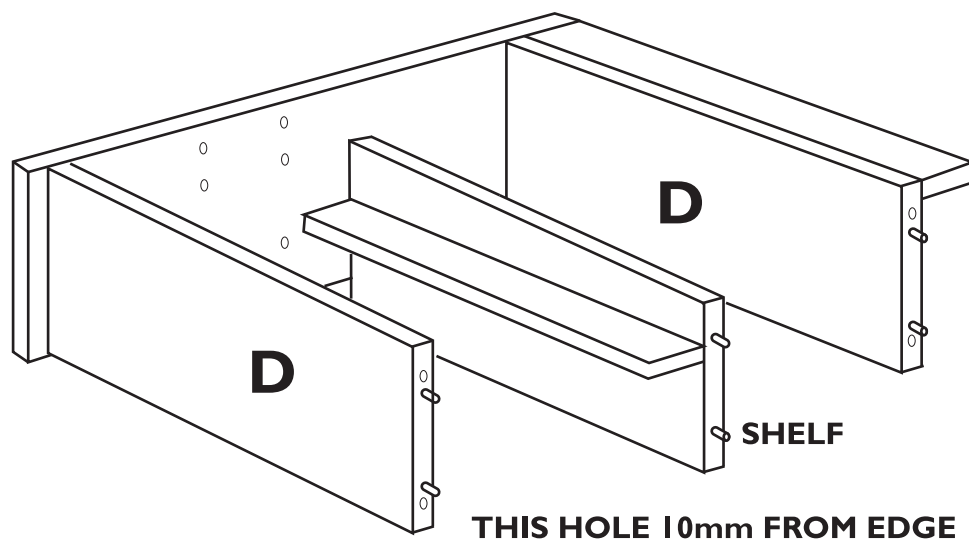
Secure top & bottom to end using Conformat Screws (4).



Contact Number
0151 479 3030

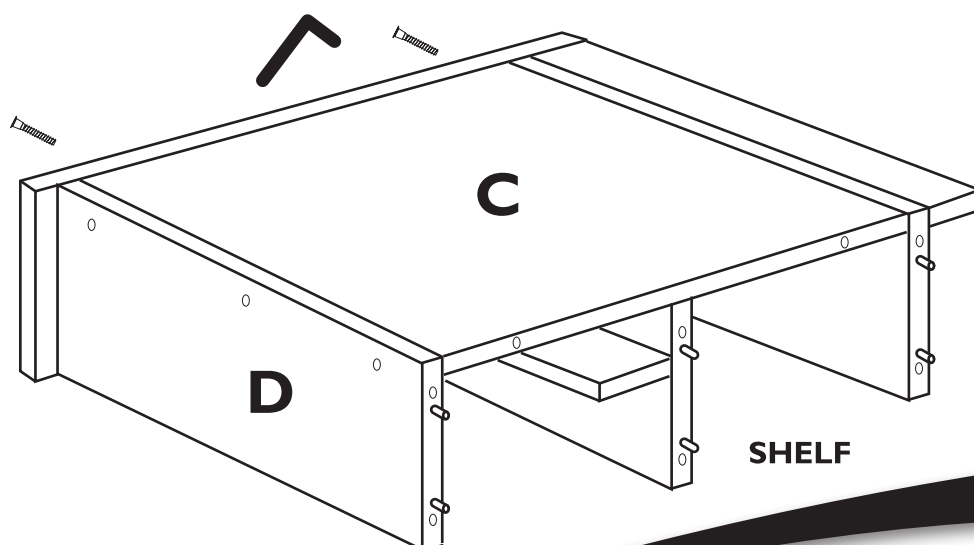
Step 5

Choose shelf position and secure to end using Confirmat Screws (2).



Step 6

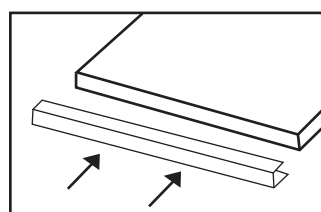
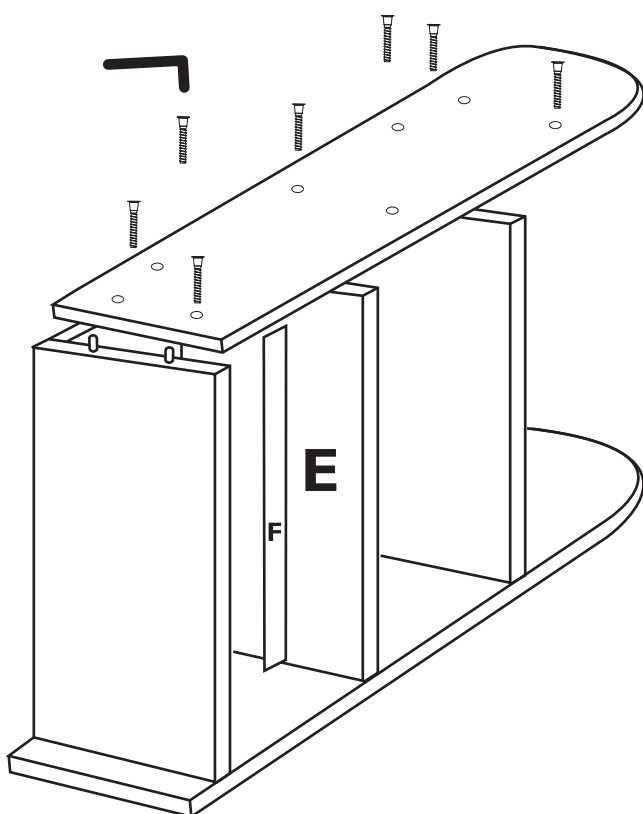
Position and secure back to end and bottom with Confirmat Screws (5).



Contact Number
0151 479 3030

Step 7

Secure end to top, bottom, shelf and back with Conformat Screws (8).



U-CHANNEL

Contact Number
0151 479 3030