



Suppliers to the Education Sector

Assembly Instructions

Tools

Philips Screwdriver

Allen Key (supplied)

Check List

Familiarise yourself with the contents

Check there is nothing missing

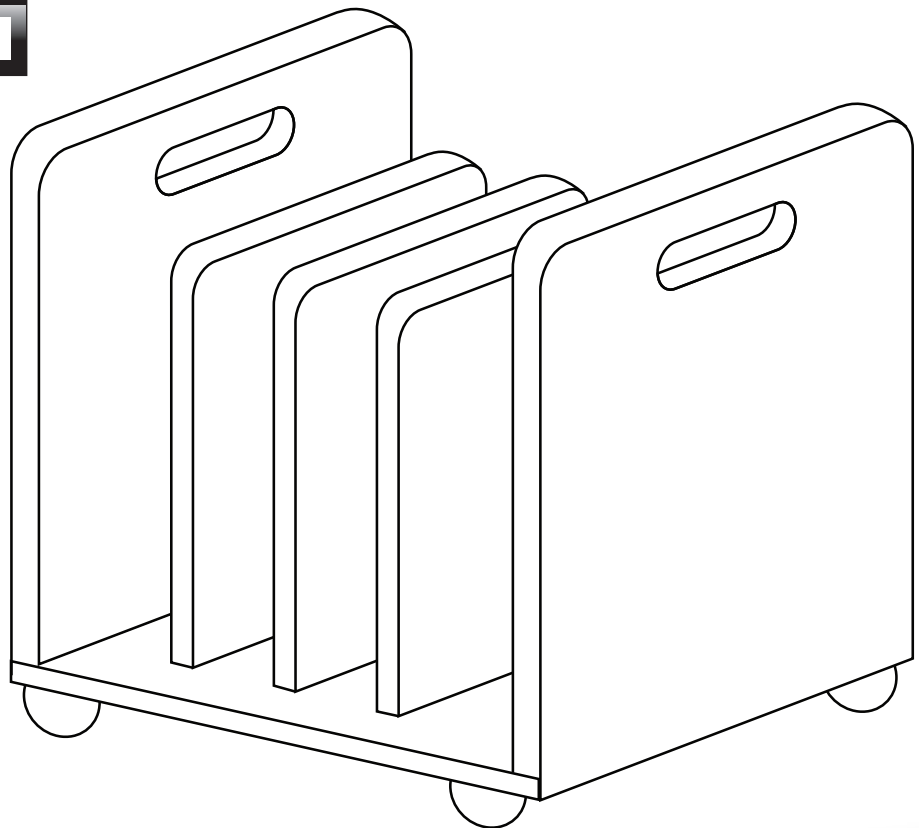
Check you have all the tools required

Make room to assemble the product

Big book holder

Code: BBH


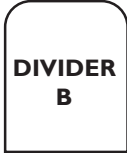


Before starting to assemble this unit please read the step by step assembly instructions carefully



Help line
0151 479 3030

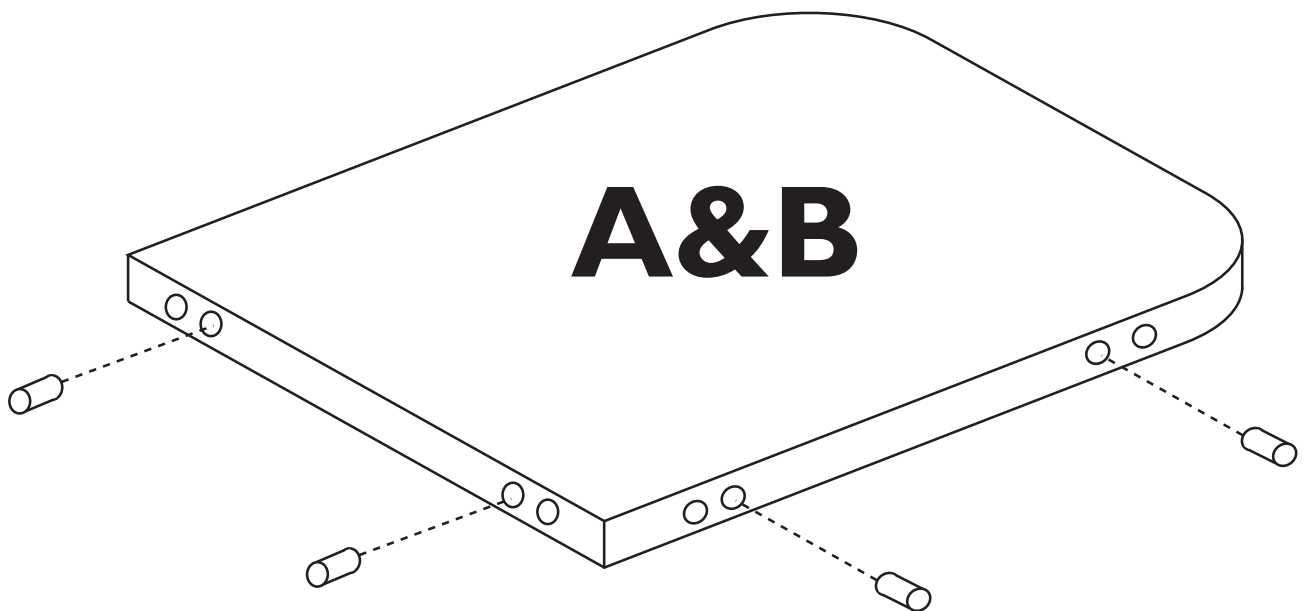
Components	Quantity
Conformat Screws	20
30x6mm Dowels	20
Foot	4
1 x 8 CSK Screws	4
Glue	1

IMPORTANT - Apply a small amount of glue into the dowel holes before dowels are inserted

Panels	Quantity	Size (mm)
 <p>END A</p>	2	500x400
 <p>DIVIDER B</p>	3	450x390
 <p>BOTTOM C</p>	1	512x408
 <p>BOTTOM C</p>	1	512x315

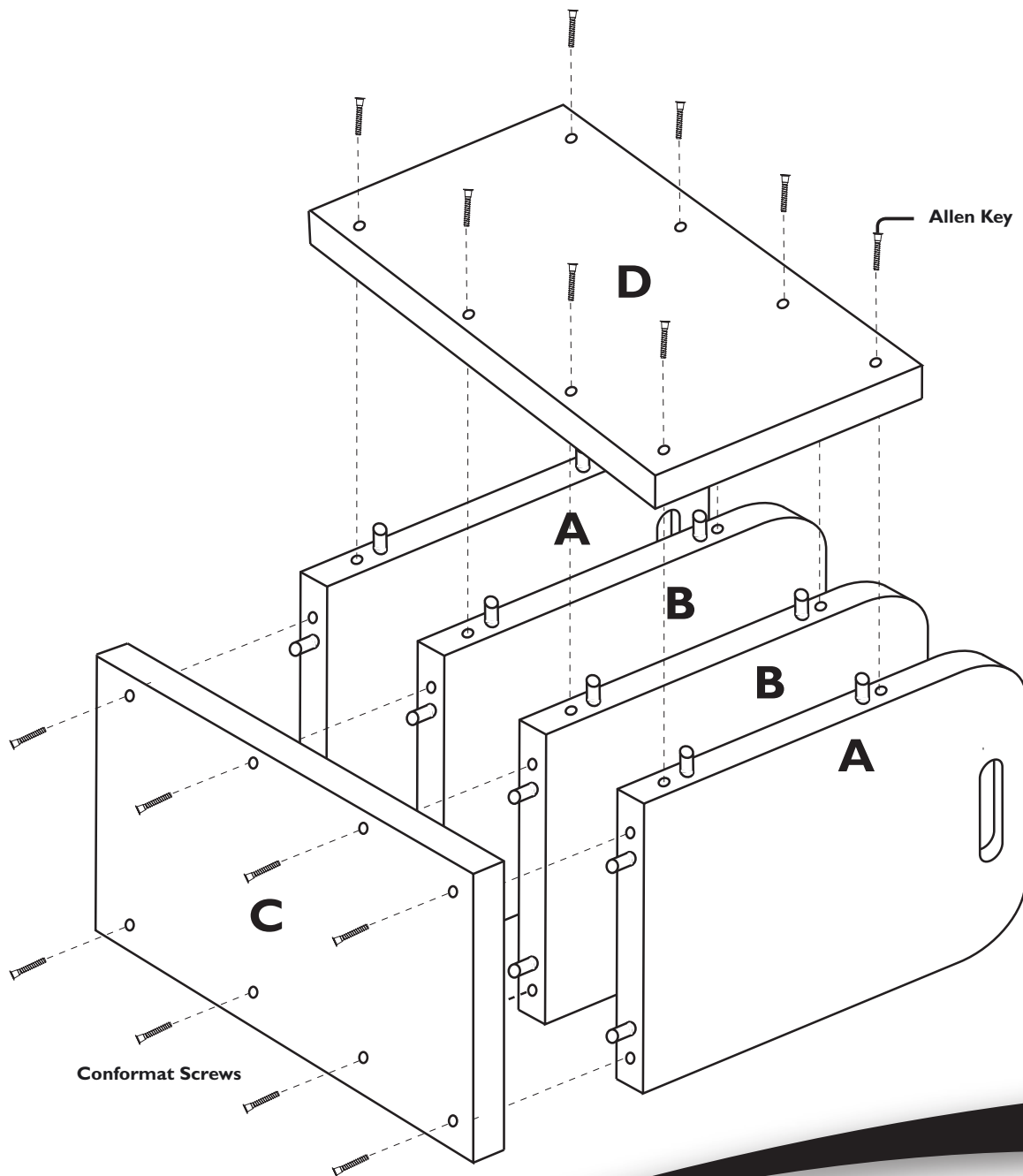
Step 1

Know dowels into inner holes of both ends and dividers



Step 2

Secure bottom **C** and back **D** to both ends and dividers using conformat screws

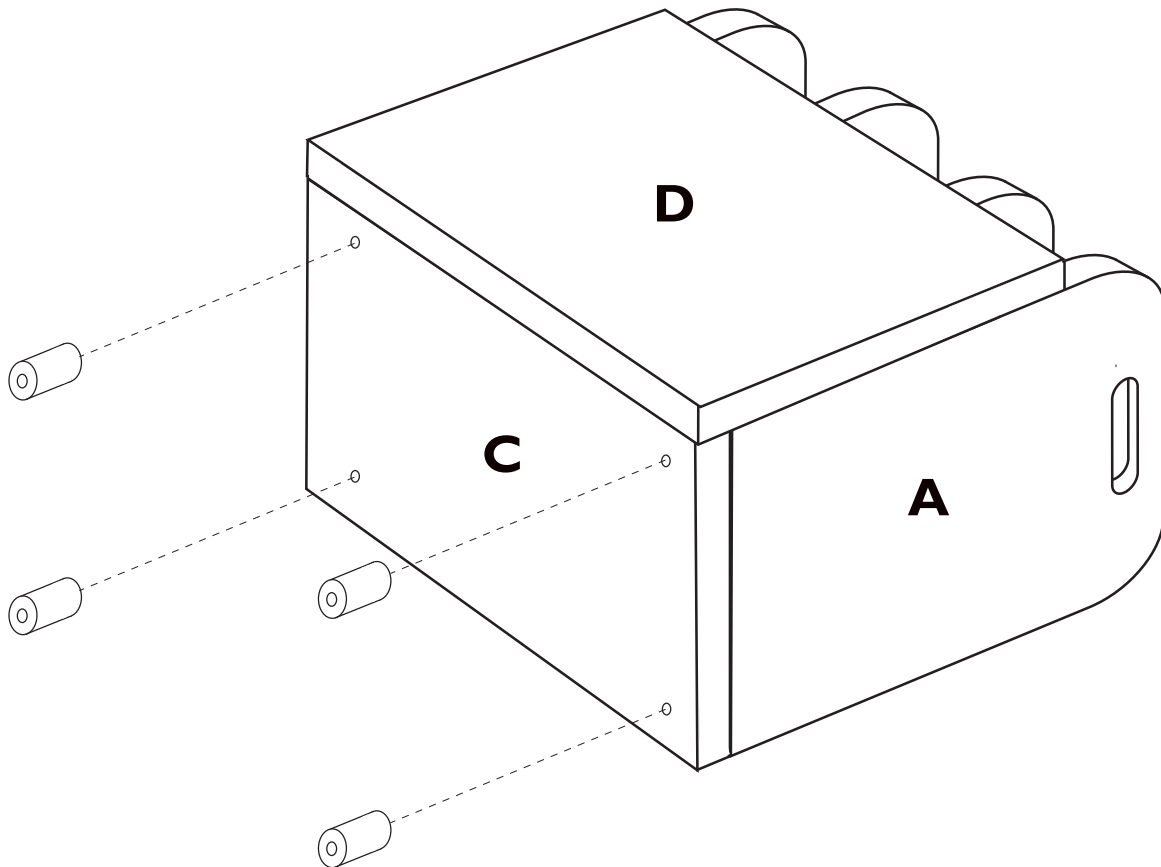




Suppliers to the Education Sector

Step 3

Secure feet to bottom with 1 x 8 CSK screws onto 'pop' holes



Help line
0151 479 3030