

Tools

Philips Screwdriver



Allen Key (supplied)



Check List

Familiarise yourself with the contents



Check there is nothing missing



Check you have all the tools required



Make room to assemble the product

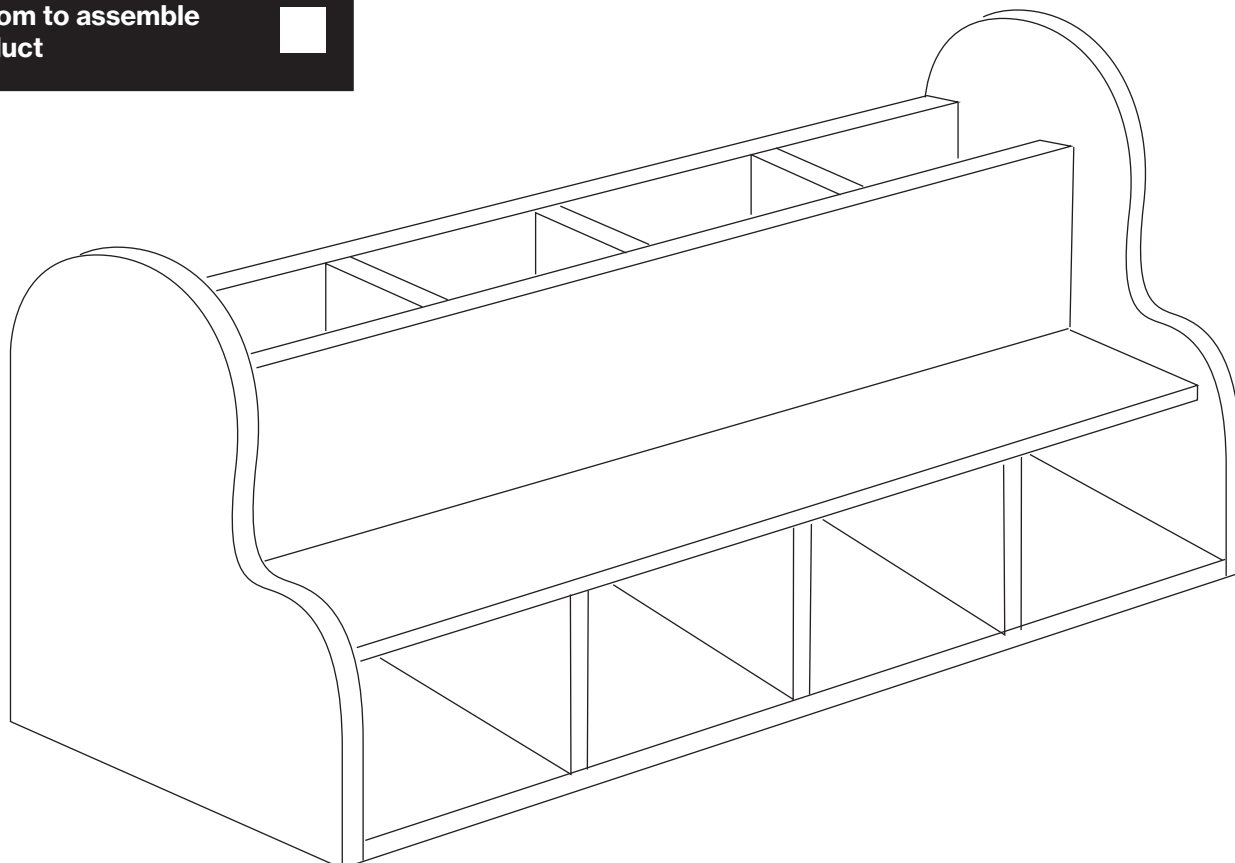


Assembly Instructions

MAPLE SEAT AND BROWSER UNIT (SINGLE-SIDED)

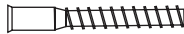
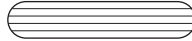

Code: MAPSEATBROW1

Before starting to assemble this unit please read the step by step assembly instructions carefully.



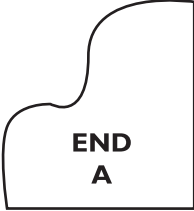
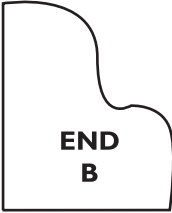






**Contact Number
0151 479 3030**

Profile Education

Components		Quantity
Confirmat Screws		33
30 x 6mm Dowels		32
Clip On 'U' Channel		4
Allen Key		1

NB: Clip On can be put on bottom of unit if required

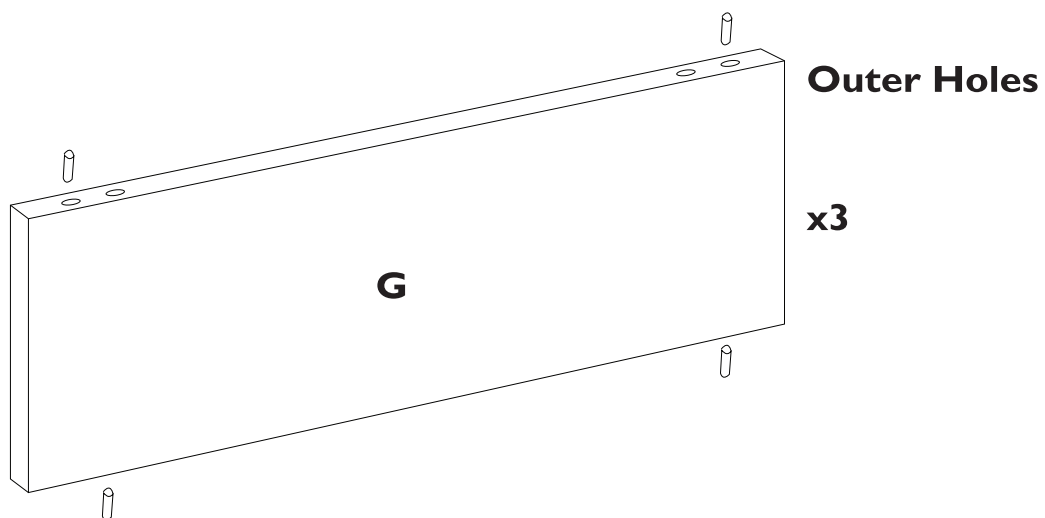
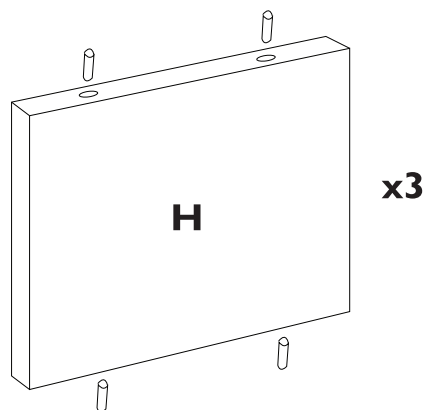
Contact Number
0151 479 3030

Panels	Quantity	Size (mm)
 <p>END A</p>	1	600x550mm
 <p>END B</p>	1	600x550mm
 <p>LARGE BACK C</p>	1	1305x510mm
 <p>SMALL BACK D</p>	1	1305x250mm
 <p>BOTTOM SEAT E/F</p>	2	1305x505mm
 <p>TRAY DIVIDER G</p>	3	498x180mm
 <p>BOOK DIVIDER H</p>	3	220x240mm
 <p>PLINTH I</p>	1	1305x50mm

IMPORTANT Panels lettered for identification if spare part is required.
Please also state colour.

Step 1

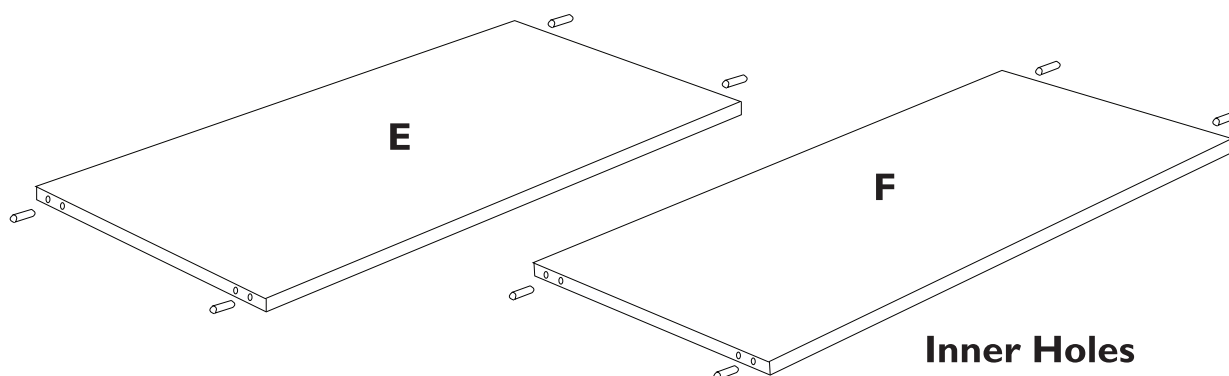
Tap dowels to bottom of hole.



Contact Number
0151 479 3030

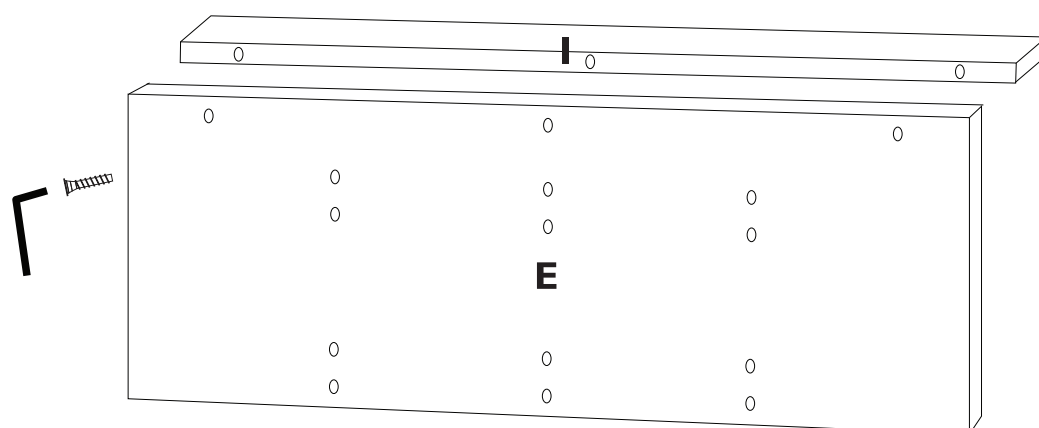
Step 2

Tap dowels to bottom of hole.



Step 3

Secure Plinth I to Bottom E using (3) Confirmat Screws.

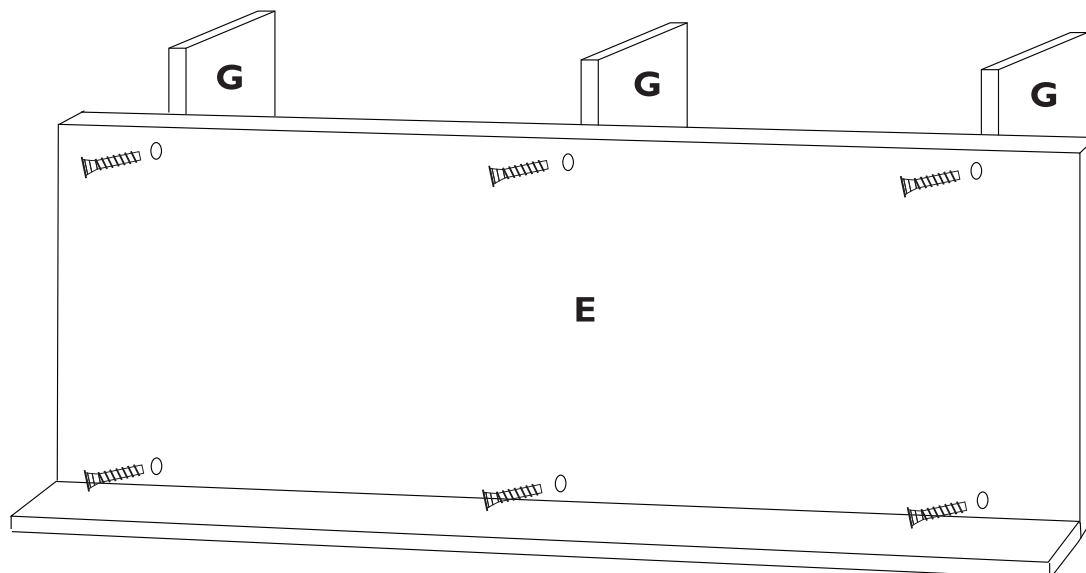


Contact Number
0151 479 3030

Step 4

Push Dowels in G into Dowel Holes in E.

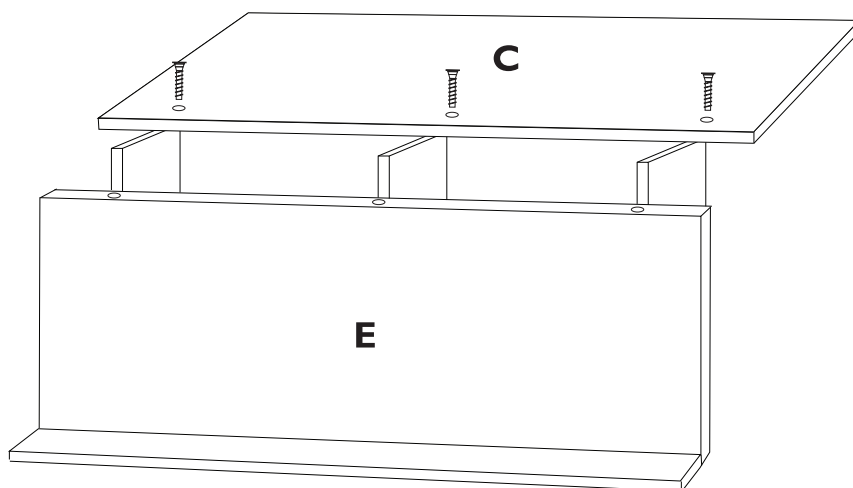
Secure G to E using (6) Confirmat Screws.



Contact Number
0151 479 3030

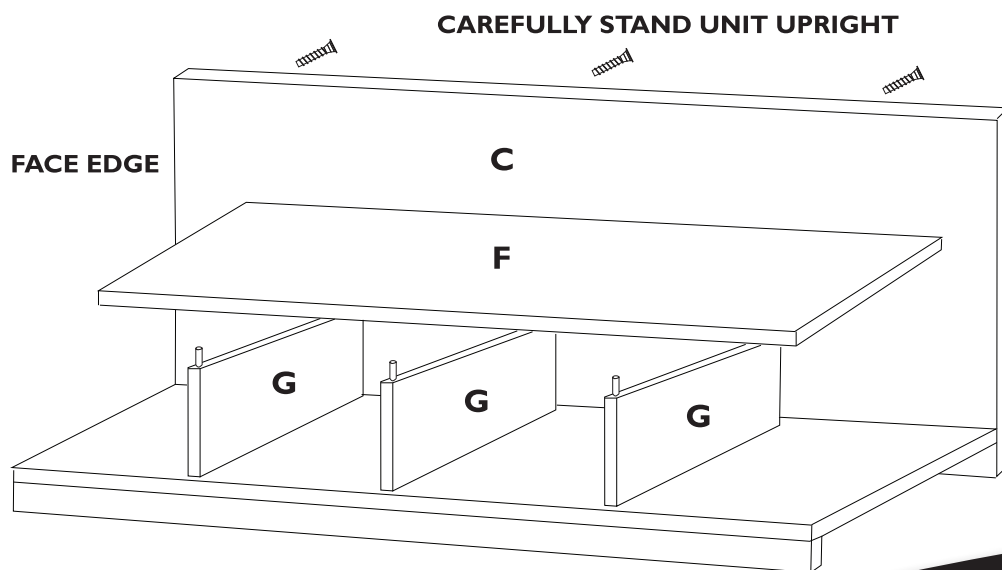
Step 5

Secure Large Back C to Bottom E using (3) Confirmat Screws.



Step 6

Lower Seat F onto Dowels in Tray Dividers G.
Secure Seat F to Back C using (3) Confirmat Screws.



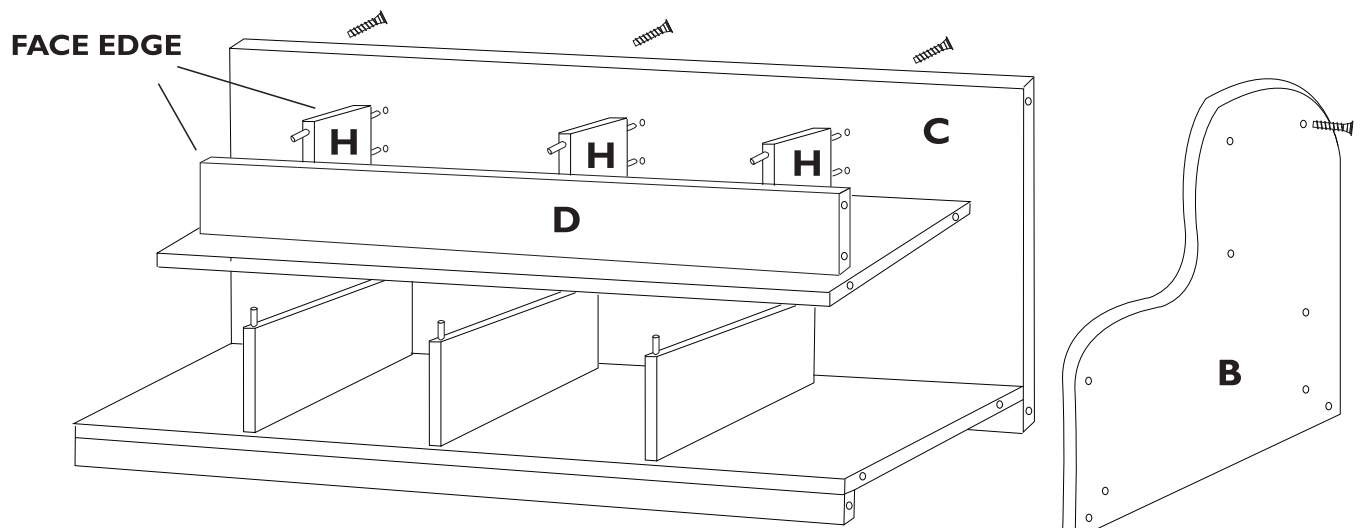
Contact Number
0151 479 3030

Step 7

Push Dowels in Book Divider H into Dowel Holes in Back C.

Locate Dowel Holes in Small Back D onto Dowels in Book Dividers H.

Secure End B using (9) Confirmat Screws. Repeat for End A.



YOUR UNIT IS NOW COMPLETE

**Contact Number
0151 479 3030**