

## Tools

Philips Screwdriver



Allen Key (supplied)



## Check List

Familiarise yourself with the contents



Check there is nothing missing



Check you have all the tools required



Make room to assemble the product

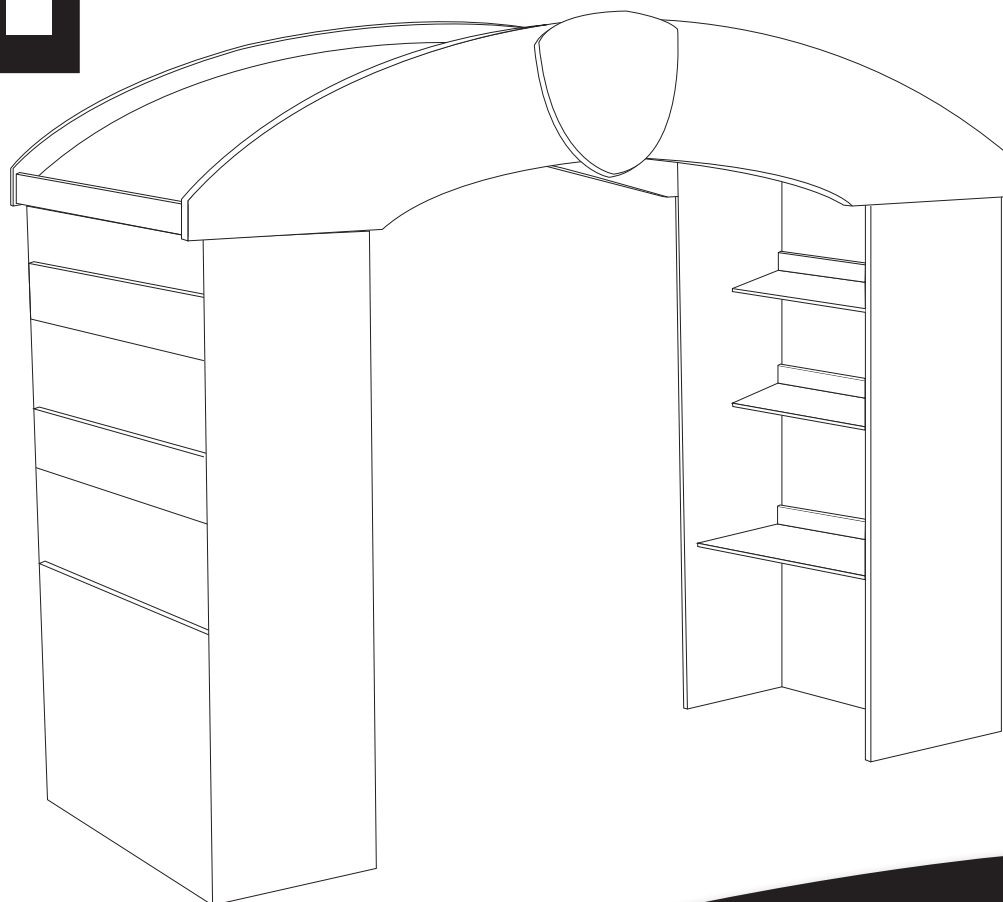


## Assembly Instructions

**MAPLE READING HOUSE**

**Code: MAPREADH**

**Before starting to assemble this unit please read the step by step assembly instructions carefully.**

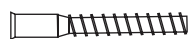


**Contact Number**  
**0151 479 3030**

## Components End Section 1

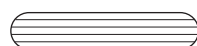
## Quantity

Confirmat Screws



30

20 x 6mm Dowels

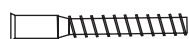


4

## Components End Section 2

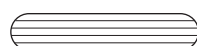
## Quantity

Confirmat Screws



30

20 x 6mm Dowels

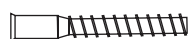


4

## Components End Section 3

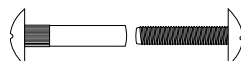
## Quantity

Confirmat Screws



12

Connecting Bolts



16

Allen Key



1

Contact Number  
**0151 479 3030**







## End Section 1 & 2

<b>Panels</b>	<b>Quantity</b>	<b>Size (mm)</b>
<b>END A (LH)</b>	2	1380x380mm
<b>END B (RH)</b>	2	1380x380mm
<b>DESK TOP C</b>	2	765x330mm
<b>SHELF D</b>	4	765x265mm
<b>BACK E</b>	2	765x545mm
<b>BACK RAIL F</b>	4	765x100mm
<b>DESK TOP RAIL G</b>	2	765x50mm

**IMPORTANT** Panels lettered for identification if spare part is required.  
Please also state colour.

**Contact Number**  
**0151 479 3030**

## Bridge Section

Panels	Quantity	Size (mm)
 <p>BRIDGE END H (RH)</p>	2	1075x412mm
 <p>BRIDGE END I (LH)</p>	2	1075x412mm
 <p>CENTRE STRUCTURE J</p>	2	320x332mm
 <p>BRIDGE SUPPORT RAIL K</p>	1	795x100mm
 <p>BRIDGE END RAIL L</p>	2	795x55mm
 <p>BRIDGE PANEL M</p>	2	1115x805x5mm

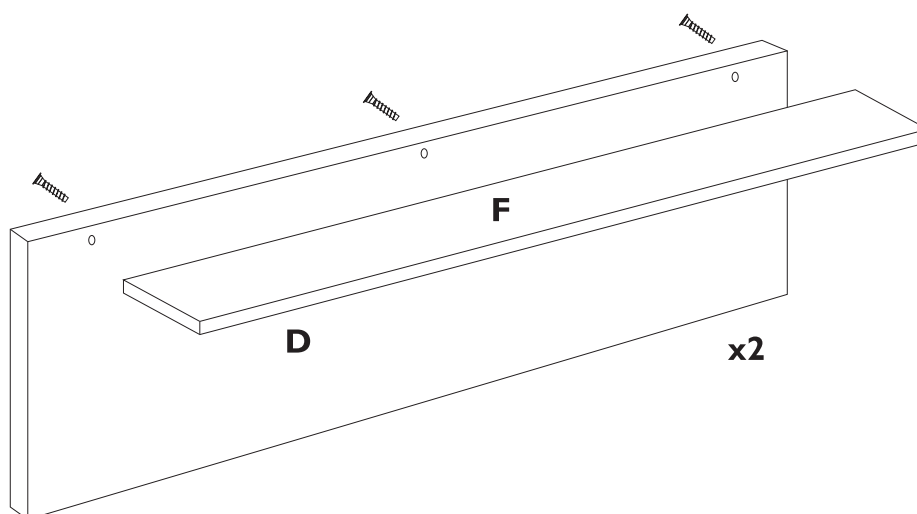
**IMPORTANT** Panels lettered for identification if spare part is required.  
Please also state colour.

**Contact Number**  
**0151 479 3030**

## Sub Assembly End Section 1

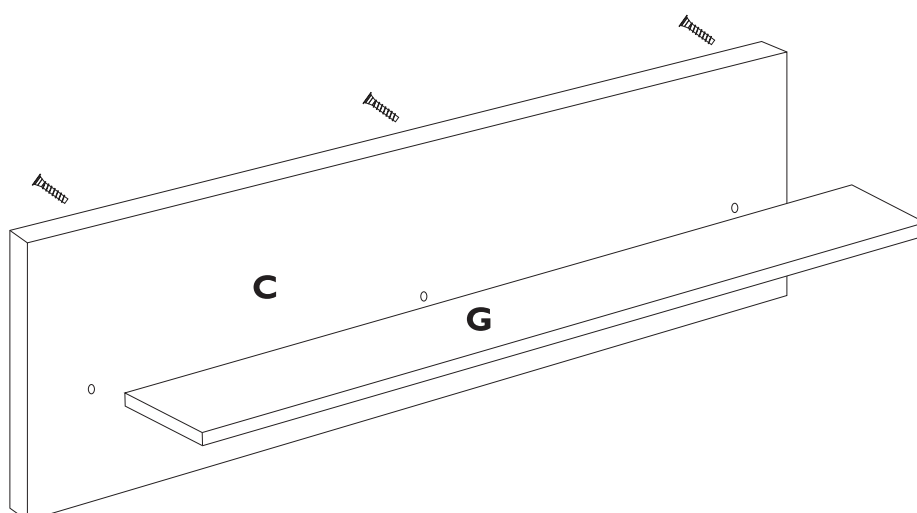
### Step 1

Secure Back Rail F to Shelf D using (3) Confirmat Screws.



### Step 2

Secure Desk Top Rail G to Desk Top C using (3) Confirmat Screws through counterbored holes in Desk Top C.



COUNTERBORE  
HOLE THE  
OTHER SIDE

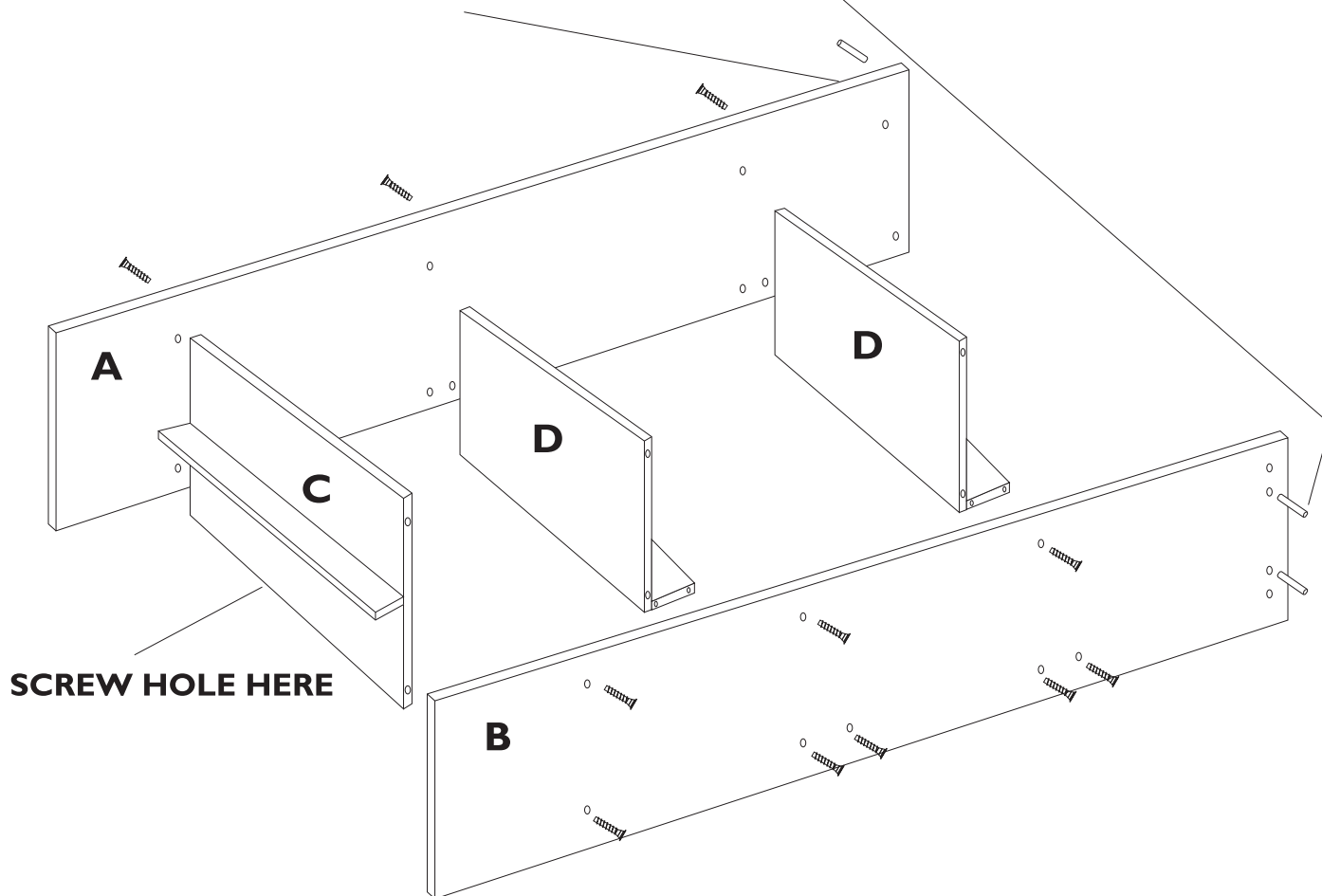
Contact Number  
**0151 479 3030**

## Main Assembly

### Step 1

Tap (4) Dowels into Inner Holes in Ends A & B.

TAP TO BOTTOM OF HOLE



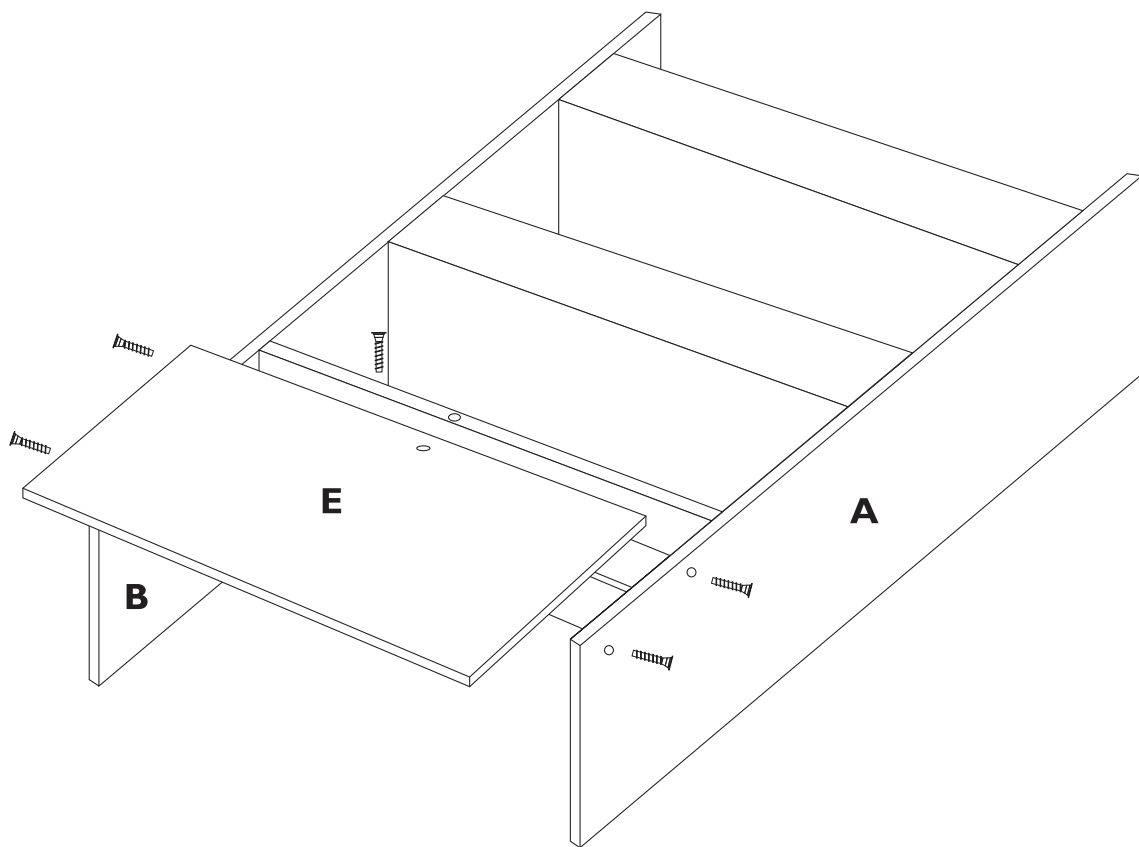
Secure Ends A & B to Shelves D and Desk Top C using (16) Confirmat Screws.

Contact Number  
**0151 479 3030**

## Step 2

With assistance turn unit over. Secure Back Panel E to Ends A & B and Desk Top C using (5) Confirmat Screws.

Repeat Sub Assembly and Main Assembly instruction for End Section 2.



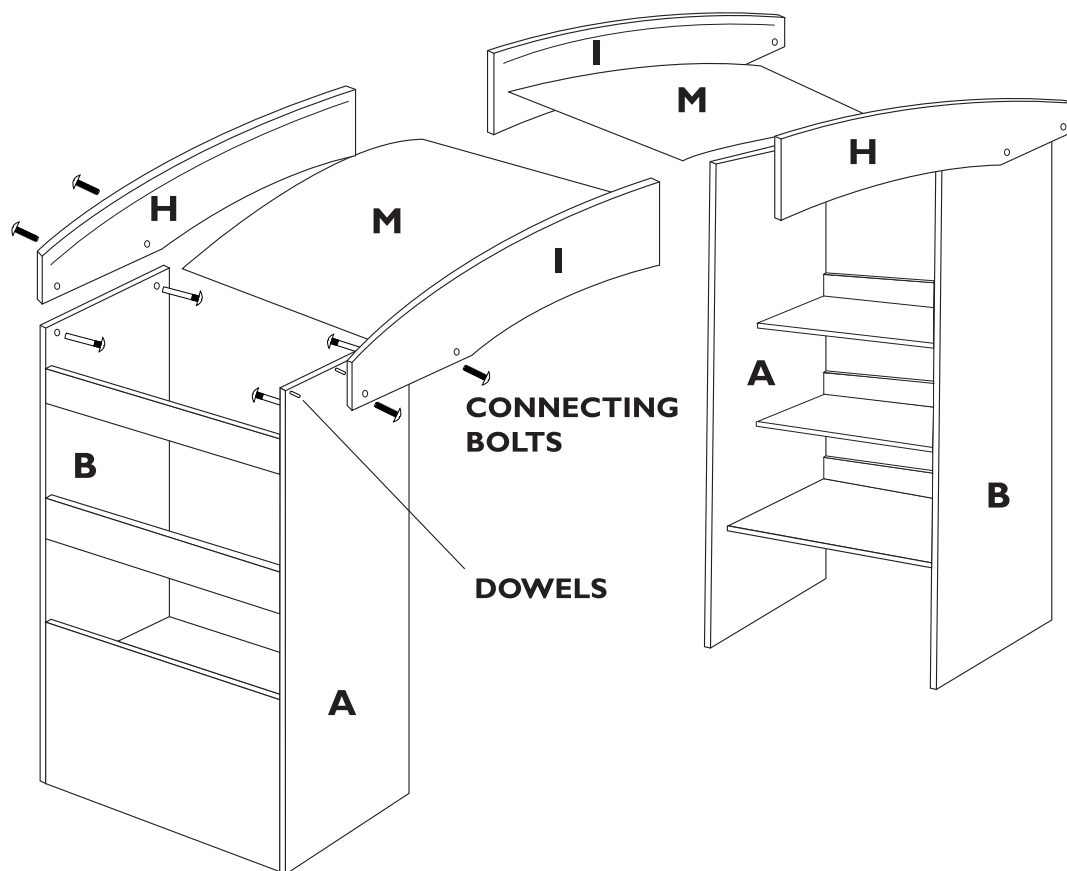
**IT IS NOW IMPORTANT TO POSITION BOTH END SECTIONS WHERE THE UNIT IS TO BE USED.**

**Contact Number  
0151 479 3030**

## Main Assembly Bridge Section

### Step 1

**REMOVE PROTECTIVE FILM FROM BOTH SIDES OF PANEL M BEFORE ASSEMBLY. TAKING CARE NOT TO SCRATCH IT DURING ASSEMBLY.**



With Assistance, position LH Bridge End I on to Dowels in End A and Secure with (2) connecting bolts.

Repeat for RH Bridge End H onto End B.

**REPEAT STEP 1 FOR OTHER UNIT**

Slide Bridge Panels M in to grooves in Bridge Ends for both units.

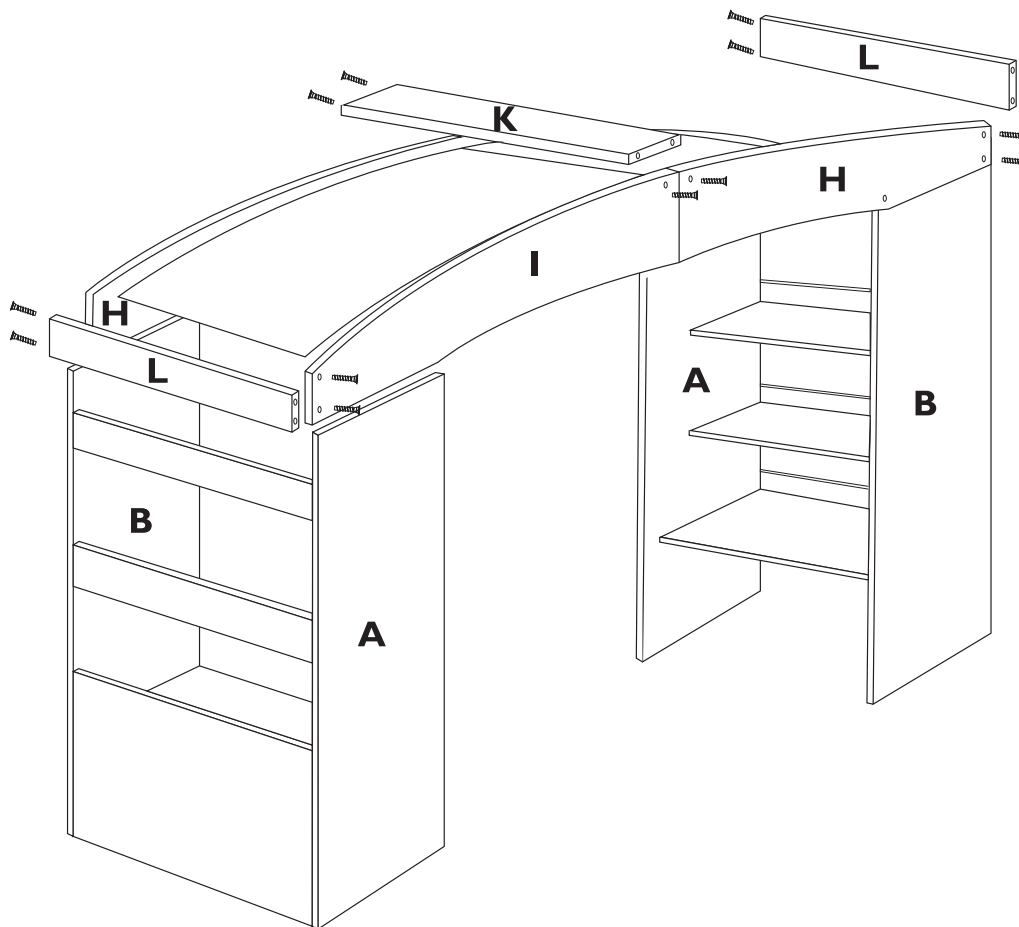
**Contact Number  
0151 479 3030**



## Main Assembly Bridge Section

### Step 2

Position Bridge End Rail L between Bridge Ends I & H and secure with (4) Confirmat Screws.



**REPEAT FOR OTHER UNIT.**

With assistance, carefully locate units so that Bridge Ends I and H meet. Position Bridge Support Rail K between both Bridge Ends and secure with (4) Confirmat Screws.

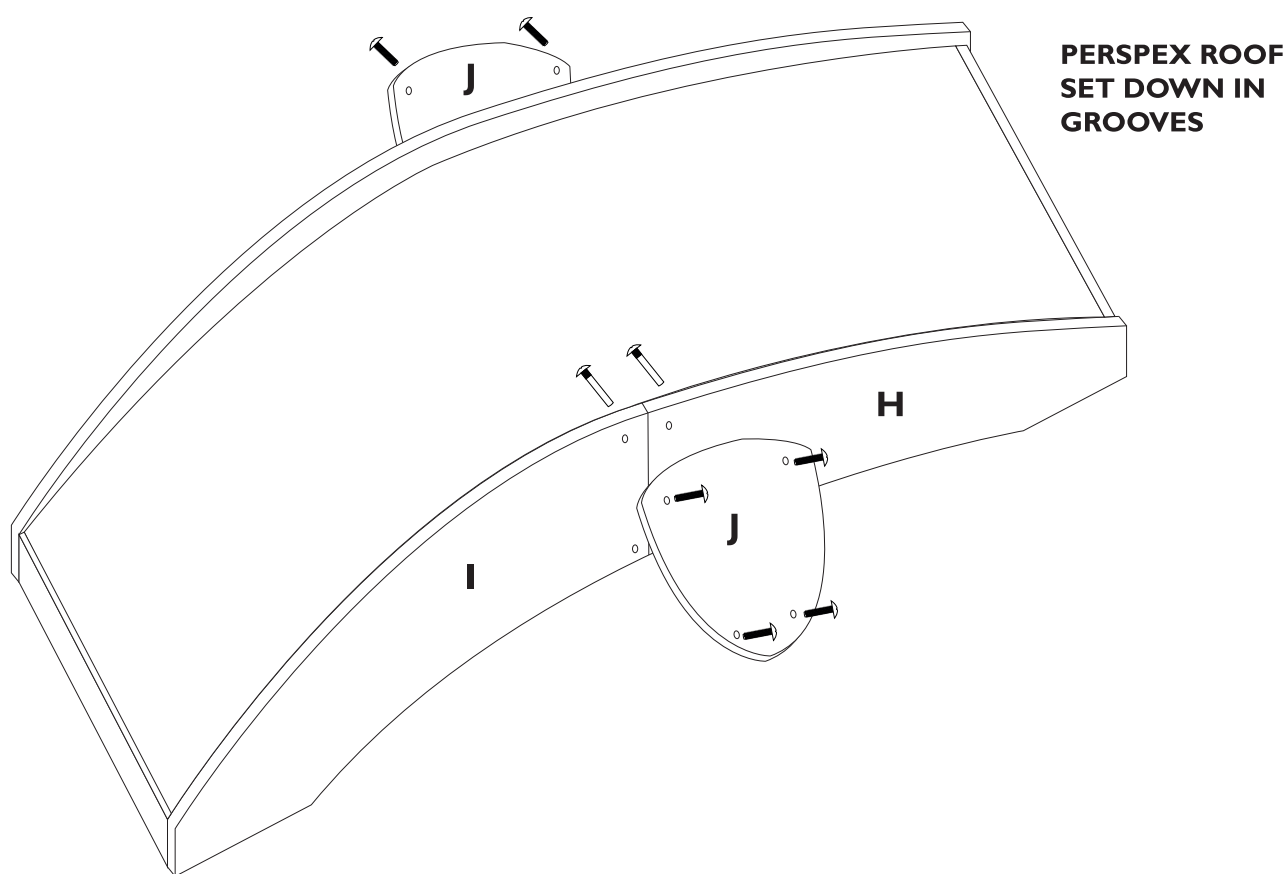
**Contact Number**  
**0151 479 3030**

**Main Assembly Bridge Section**

**Step 3**

Position centre structure J and secure to Bridge Ends I & H with (4) Connecting Bolts.

REPEAT ON OTHER SIDE



**YOUR READING HOUSE IS NOW COMPLETE**

**Contact Number  
0151 479 3030**