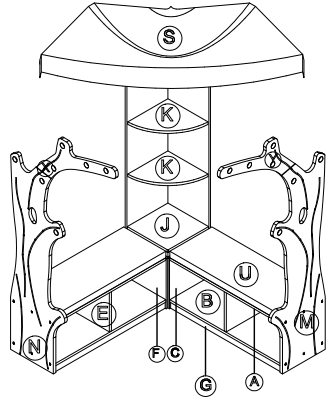


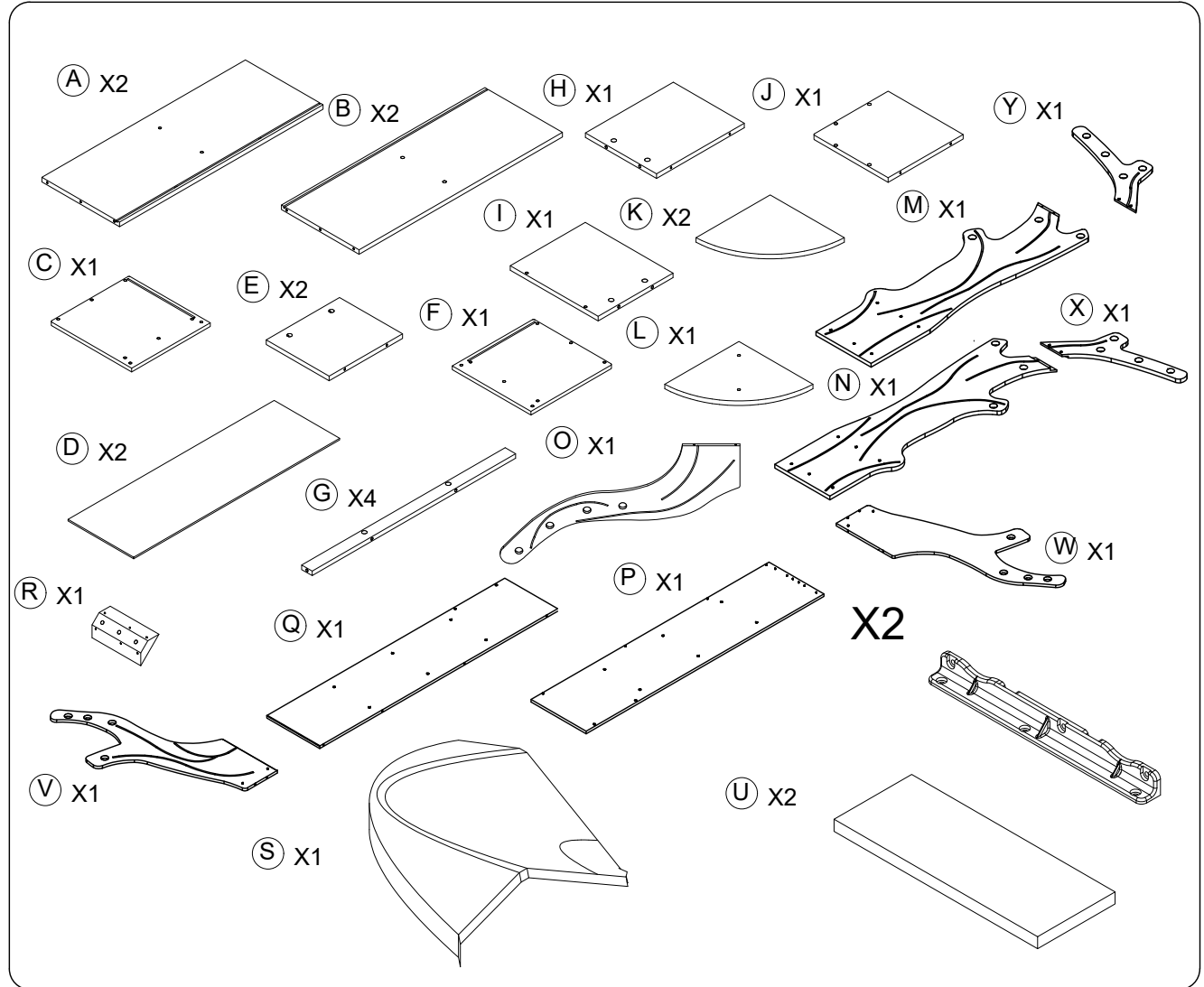
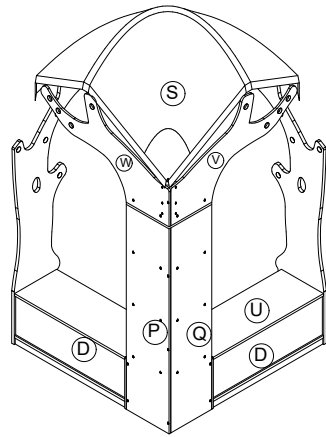
PART LIST

KB1-PRNA013-V04-109

FRONT



BACK

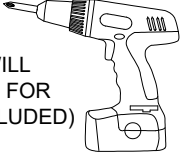


- Contains small parts,sharp points and edges.
- Adult assembly required.
- Two adults recommended.
- Do not stand ,sit ,kneel, lean or pull on unit for support.
- Never leave children unattended.
- Do not place unit near high heat or moisture.
- Adult supervision recommended.

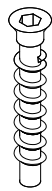
TIP!
DO NOT FULLY
TIGHTEN SCREWS
UNTIL ALL SCREWS
HAVE BEEN LOOSELY
POSITIONED.

**BEFORE
ASSEMBLING,
MAKE SURE THERE
ARE NO
MISSING PARTS.**

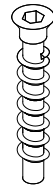
NOTE:
A ELECTRIC
SCREWDRIVER WILL
BE RECOMMENDED FOR
ASSEMBLY(NOT INCLUDED)



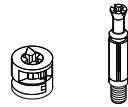
HARDWARE



Ø5*40
X10



Ø7*50
X50



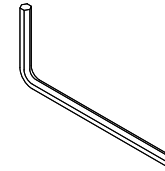
Ø15*10
X16



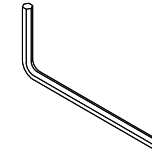
Ø8*40
X8



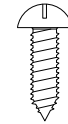
(Ø4*35)
X12



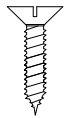
M4
X1



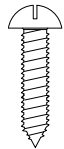
M3
X1



(M4*12)
X12



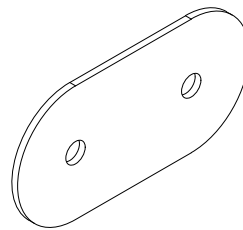
M4*12
X8



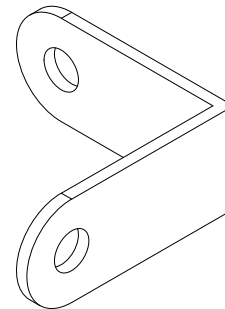
(M4*40)
X8



X8



57*15.5
X6



30*30
X2



Ø6*12

X4



Ø6*12

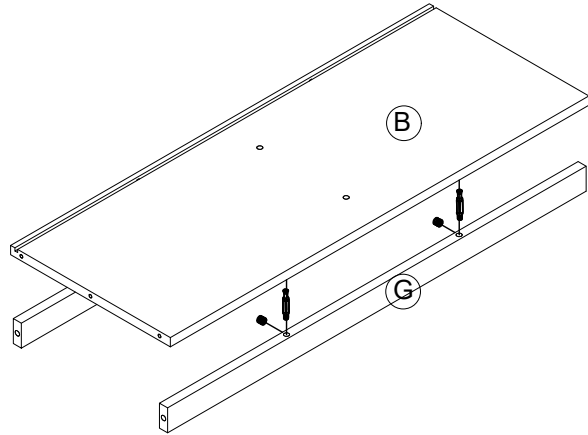
X4



X4

1

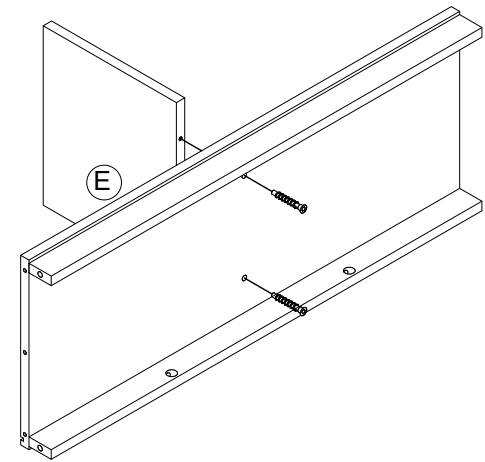
Ø15*10
X8



X2

2

X4
Ø7*50



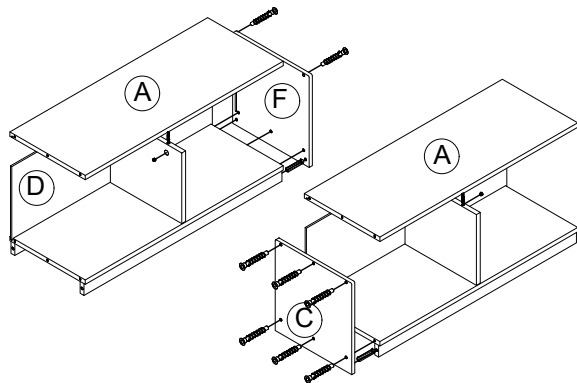
X2

3

Ø8*40
X4

X12
Ø7*50

Ø15*10
X4



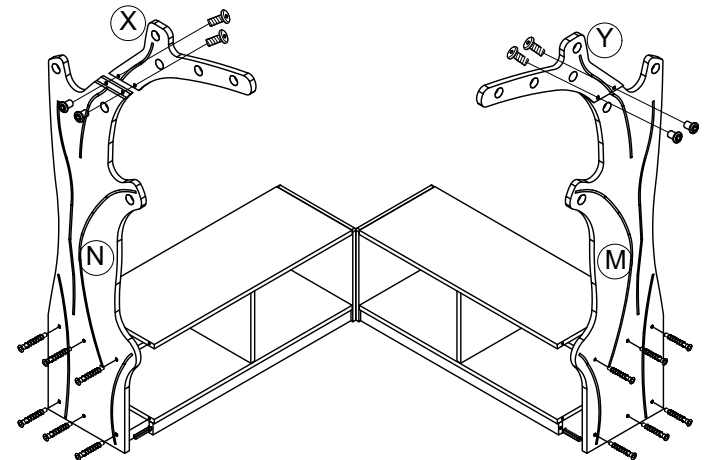
4

Ø8*40
X4

X12
Ø7*50

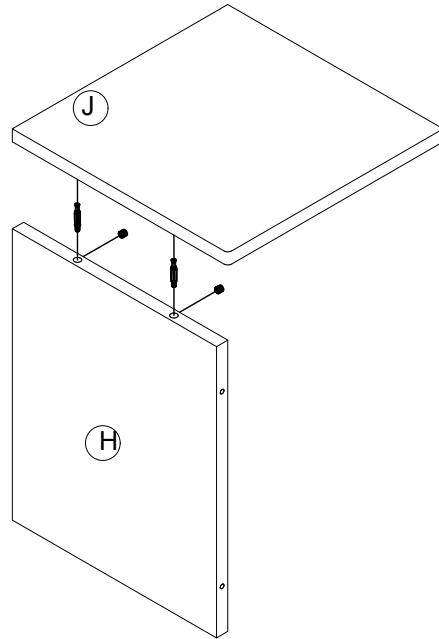
Ø6*12
X4

Ø6*12
X4



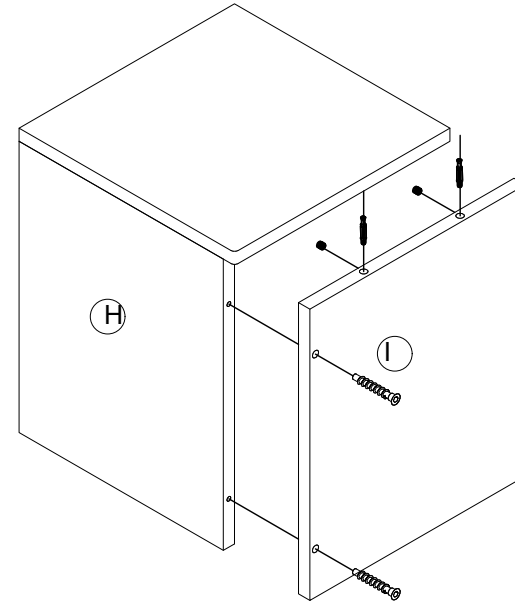
5

Ø15*10
X2



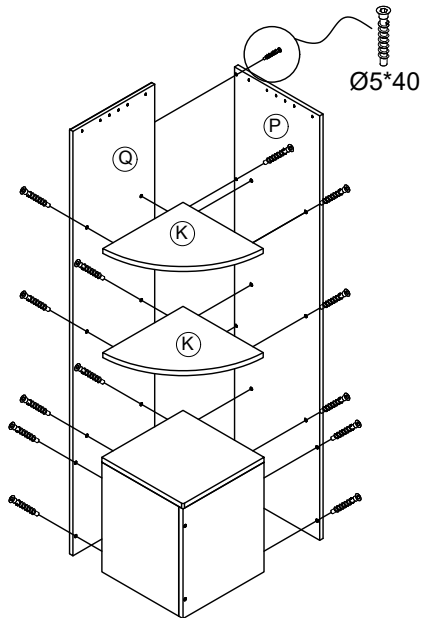
6

Ø15*10
X2
Ø7*50
X2



7

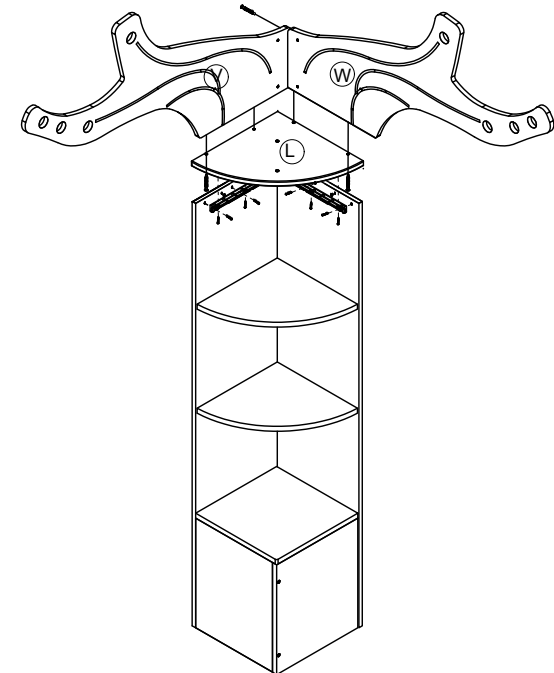
X16
Ø7*50
X4
Ø5*40



8

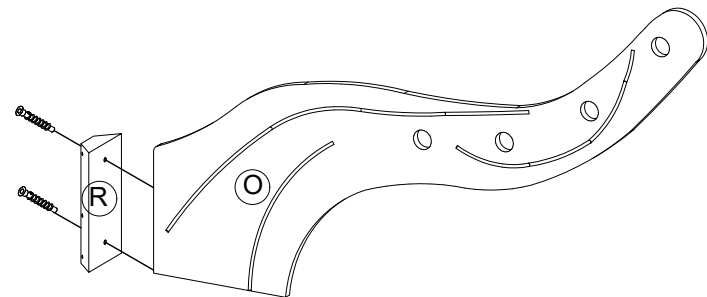
X6
Ø5*40
(M4*12)
X12

X4





9

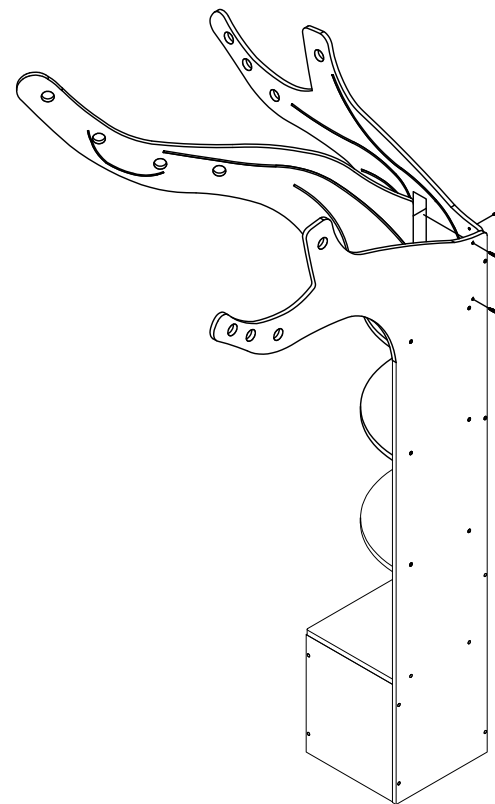

X2
Ø7*50



10

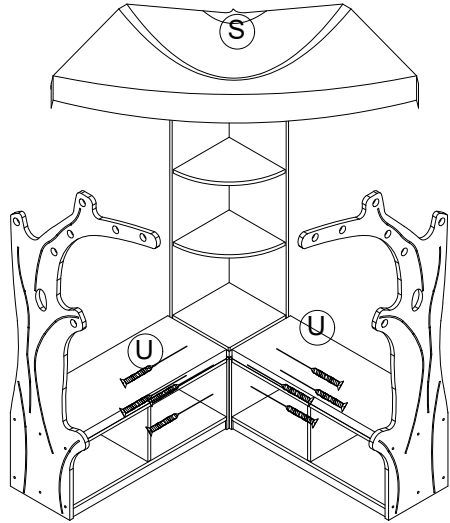

X2
Ø7*50


(Ø4*35)
X4

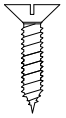


11

(Ø4*35)
X8



12

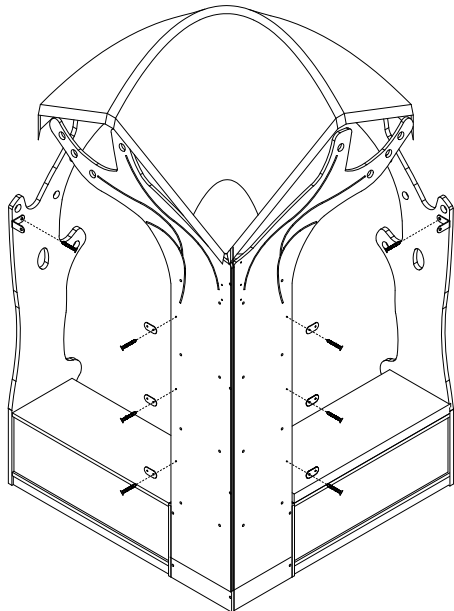


Step1: Firstly use M4 * 12 self-tapping screws to lock the flat iron plate to the back of the cabinet.

M4*12
X8

57*15.5
X6

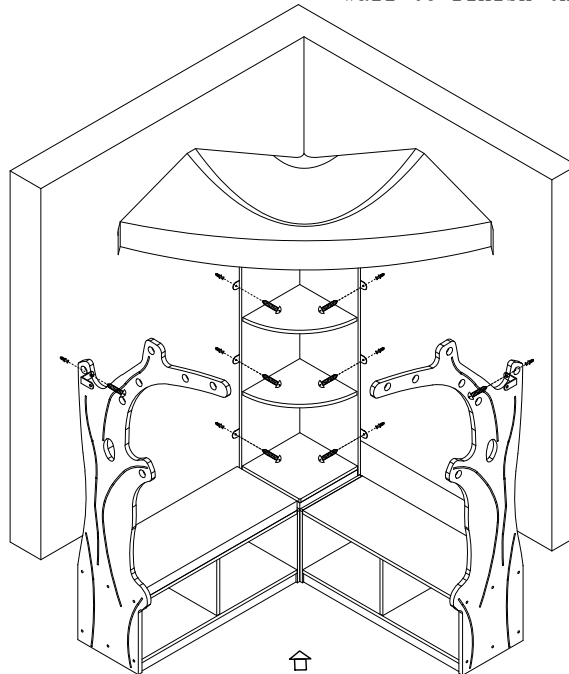
30*30
X2



13

(M4*40)
X8 X8

Step 2: Find a locating point in the corresponding position of the wall, drive the expansion tube into it, then push the cabinet to the corner of the wall, and use M4 * 40 self-tapping screws to pass through the flat iron plate and fix it with the expansion tube in the wall to finish the assembly.



CAUTION:

- Do not allow children to climb on shelves.
- Do not use as a ladder or cart.

CARE AND CLEANING

- Clean wood with a damp cloth or sponge using warm water and mild soap. Wipe dry.
- Do not place near heat, moisture or vaporizer which may cause wood to warp and peel.
- Check for loose or worn parts periodically and tighten or replace as necessary.

1 YEAR LIMITED WARRANTY

Our products will supply to the original owner, without charge, any part discovered to be missing at the time of purchase or found to be defective during the 1-year warranty period. The warranty begins on the date of purchase. The model number and the part description must be owner damage, product alteration, or unreasonable use. If you need assistance, contact Us.

Record the manufacture date here. Information is located on a label enclosed, and on the shipping carton. Place label and this sheet in an accessible place.

Model Number: KB1-PRNA013-V04-109

Manufacture Date: _____

Fasten your Hex Key Tool in the box below and keep in a convenient place for future use.

