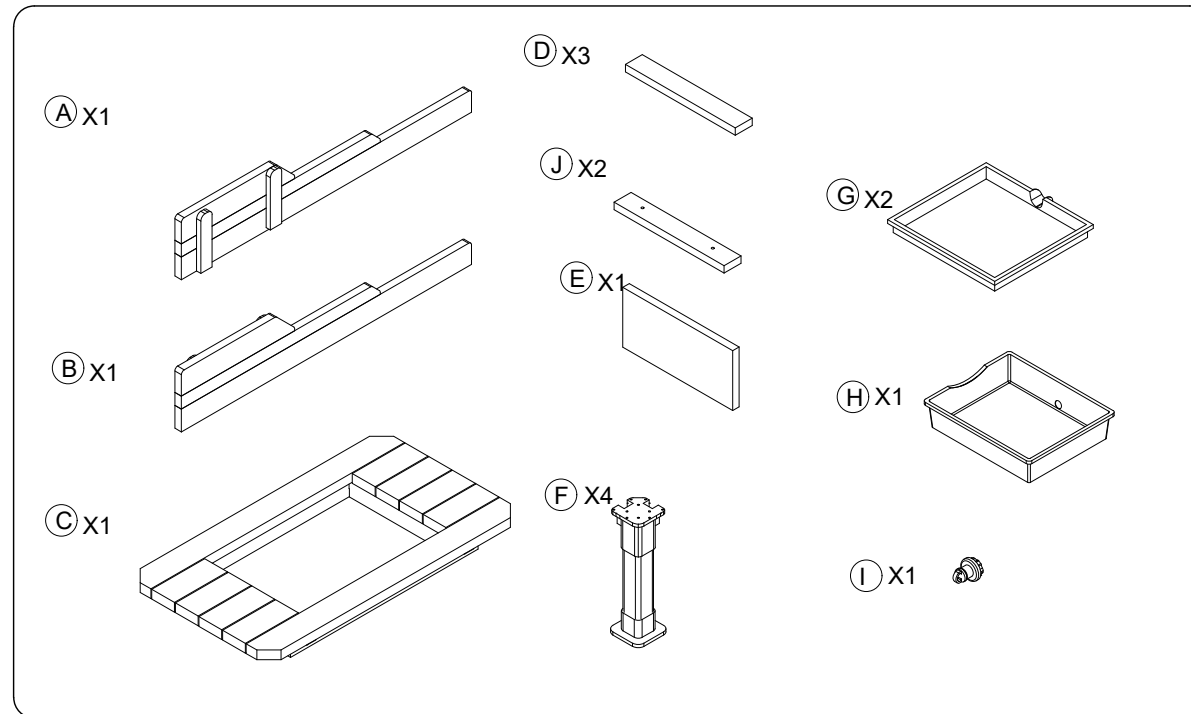
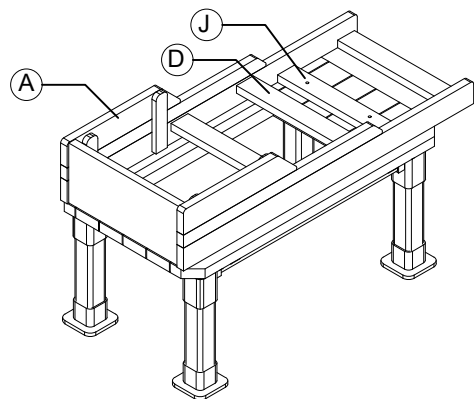
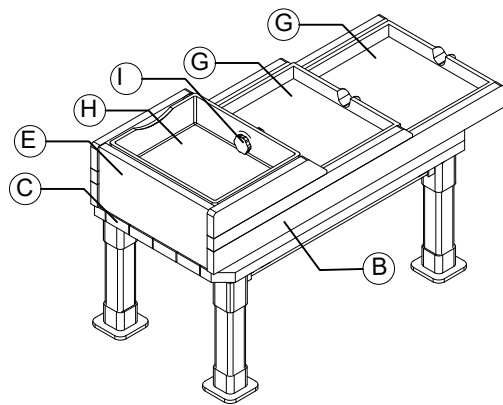


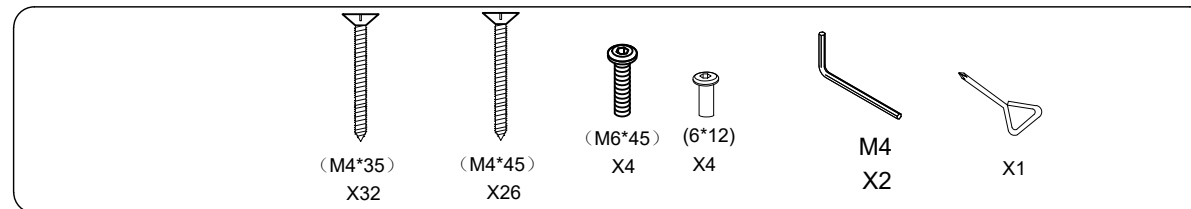


HW1-S035-2

PART LIST



HARDWARE




! WARNING:

When unassembled, this package contains small parts, sharp points and edges. Adult assembly is required, and two adults are recommended. Do not stand, sit, kneel, climb on, or pull on the unit for support. Never leave children unattended with unit. Do not place unit near high heat or moisture.

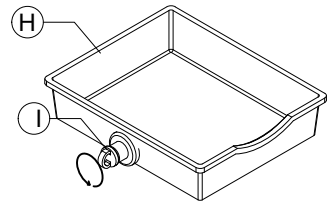
TIP!
DO NOT FULLY TIGHTEN SCREWS UNTIL ALL SCREWS HAVE BEEN LOOSELY POSITIONED.

BEFORE ASSEMBLING, MAKE SURE THERE ARE NO MISSING PARTS.

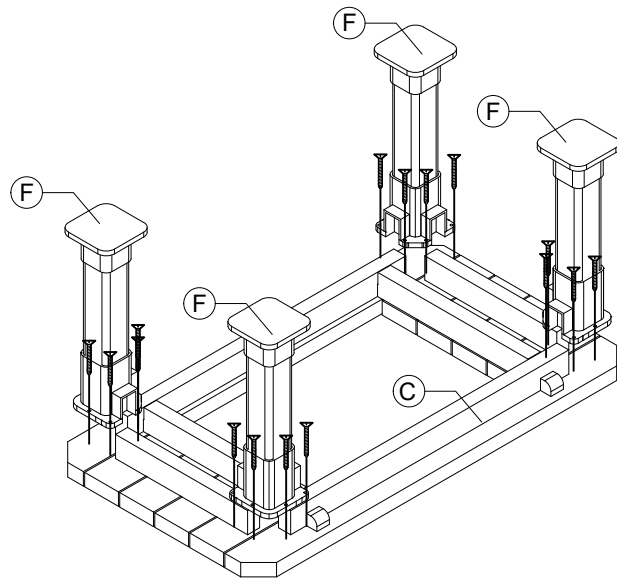
ELECTRIC DRILLS MAY BE USED FOR ASSEMBLY. ENSURE APPROPRIATE SIZE DRILL BITS ARE USED, AND DRILL IS USED ON A SLOW AND LOW TORQUE SETTING



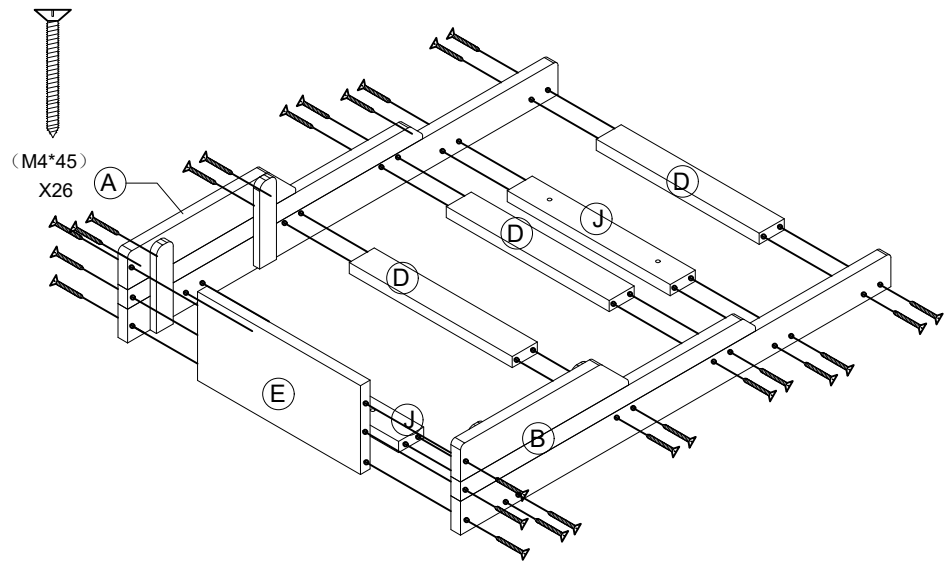
1



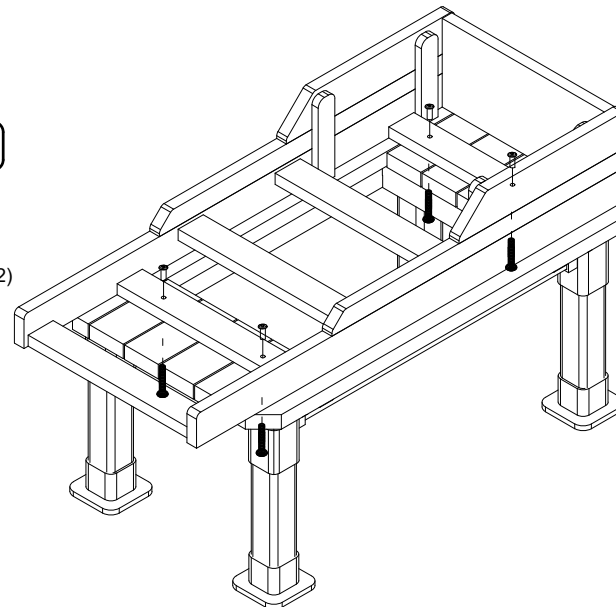
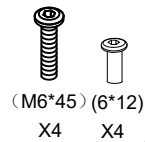
2

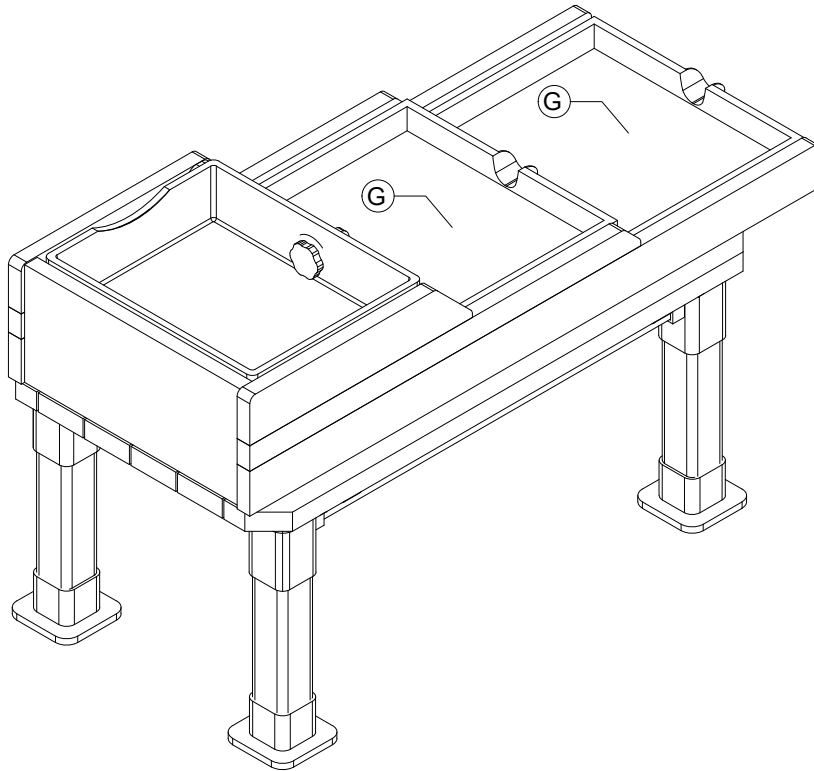


3



4





CARE AND MAINTENANCE.

TO CARE FOR AND MAINTAIN YOUR PRODUCT:

- TREATED PINE IS DESIGNED FOR OUTDOOR USE. AS PER ALL TIMBER IT WILL WEATHER, CHANGE COLOUR AND HAVE SMALL CRACKS IN TIME. THIS IS A NORMAL CHARACTERISTIC OF ANY OUTDOOR TIMBER.
- INSPECT THE FRAME FOR ANY SIGNS OF BREAKAGE OR DETERIORATION OF FRAME OR PARTS. DO NOT USE THE PRODUCT IF EXCESSIVE WEAR AND TEAR IS EVIDENT.
- DO NOT ALLOW CHILDREN TO CLIMB ON THE PRODUCT.
- USE ON EVEN AND FLAT GROUND. DO NOT PLACE IN MUDDY POSITIONS.
- THE FRAME AND TIMBER SHOULD BE LIGHTLY SANDED, WIPED CLEAN AND THEN COATED WITH AN OUTDOOR OIL AS PER THE INSTRUCTIONS APPROX. ONCE PER YEAR. HOWEVER THIS TREATMENT MAY INCREASE OR DECREASE DEPENDING ON WEATHER AND LOCATION. ALWAYS FOLLOW THE INSTRUCTIONS ON THE OUTDOOR TIMBER OIL.
- DO NOT SAND OR OIL IN WET WEATHER. IT IS BEST TO HAVE ATLEAST 10 DAYS WITHOUT RAIN ENSURE THE WOOD IS DRY.

WARRANTY.

- THIS PRODUCT IS SUPPORTED BY A ONE YEAR MANUFACTURER'S WARRANTY AGAINST DEFECTS AND WORKMANSHIP FOR BOTH THE FRAME AND ANY ASSOCIATED PARTS. WITHIN THE WARRANTY PERIOD, THE MANUFACTURER WILL REPLACE OR REPAIR ANY DEFECTIVE PARTS FREE OF CHARGE.
- THIS WARRANTY PERIOD COMMENCES AT THE DATE OF PURCHASE OF THE PRODUCT BY THE ORIGINAL PURCHASER AND EXTENDS ONLY TO THE ORIGINAL PURCHASER.
- SHOULD THE ENTIRE PRODUCT OR ANY PARTS OF THE PRODUCT REQUIRE REPLACEMENT, WARRANTY ON THE REPLACEMENT PRODUCT OR PARTS ARE COVERED FOR A PERIOD OF 12 MONTHS FROM THE PURCHASE DATE OF THE ORIGINAL PRODUCT, NOT FROM THE DISPATCH DATE OF THE REPLACEMENT OF PRODUCT OR PARTS.
- THIS WARRANTY DOES NOT COVER DAMAGE CAUSED BY ABUSE, ABNORMAL OR IMPROPER USE.
- THIS WARRANTY DOES NOT COVER GENERAL WEAR, TEAR AND PRODUCT AGING, MISUSE OF THE PRODUCT, INCORRECT ASSEMBLY, IMPROPER MAINTENANCE OR ACTS OF GOD (SUCH AS DAMAGE CAUSED BY FLOODING).
- THIS PRODUCT COMES WITH GUARANTEES THAT CANNOT BE EXCLUDED UNDER CONSUMER LAW. YOU ARE ENTITLED TO A REPLACEMENT OR REFUND FOR A MAJOR FAILURE AND FOR COMPENSATION FOR ANY OTHER REASONABLY FORESEEABLE LOSS OR DAMAGE. YOU ARE ALSO ENTITLED TO HAVE THE GOODS REPAIRED OR REPLACED IF THE GOODS FAIL TO BE OF ACCEPTABLE QUALITY AND THE FAILURE DOES NOT AMOUNT TO A MAJOR FAILURE.