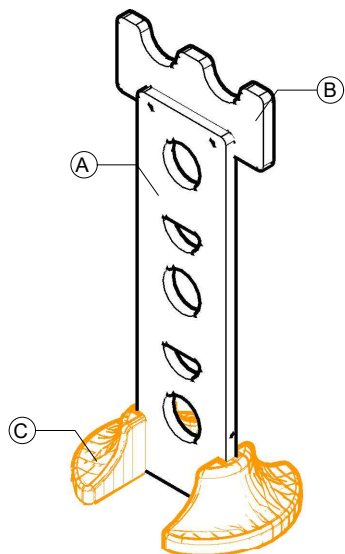
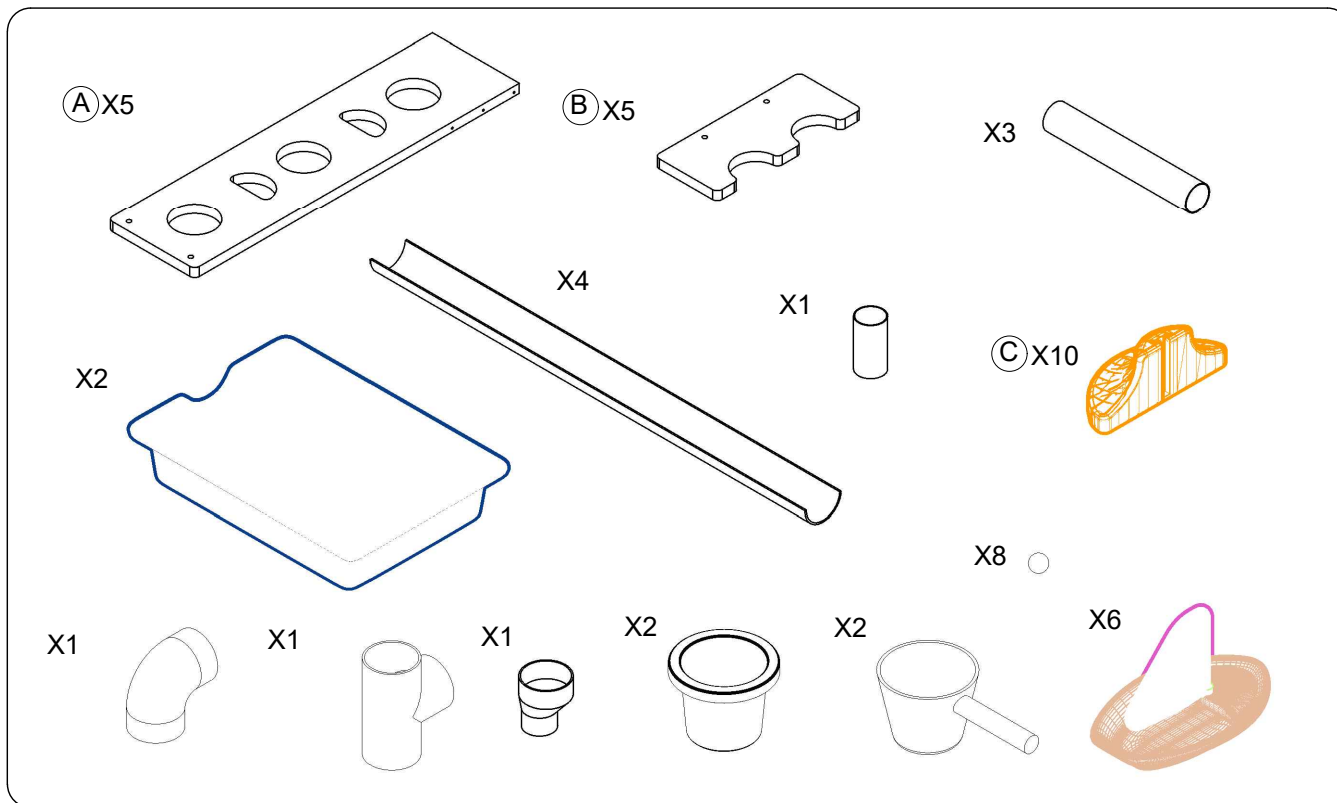


**PIPE AND CHANNEL WATER SET 1
HW1-S225**

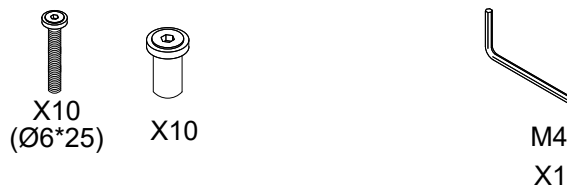
FRONT



PART LIST



HARDWARE



WARNING:

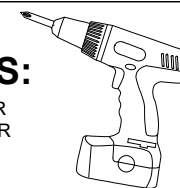
- Contains small parts, sharp points and edges.
- Adult assembly required.
- Two adults recommended.
- Do not stand, sit, kneel, lean or pull on unit for support.
- Never leave children unattended.
- Adult supervision recommended.
- Do not place unit near high heat.

TIP!
DO NOT FULLY
TIGHTEN SCREWS
UNTIL ALL SCREWS
HAVE BEEN LOOSELY
POSITIONED.

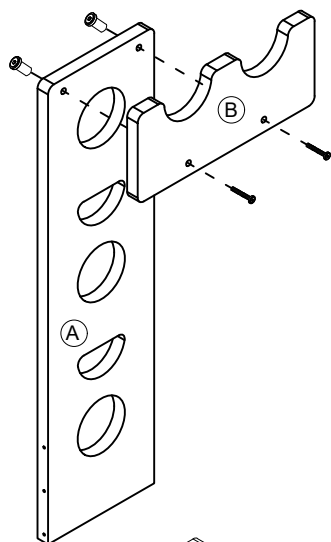
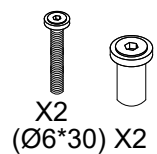
BEFORE
ASSEMBLING,
MAKE SURE THERE
ARE NO
MISSING PARTS.

NOTE / HINWEIS:

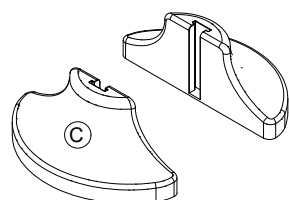
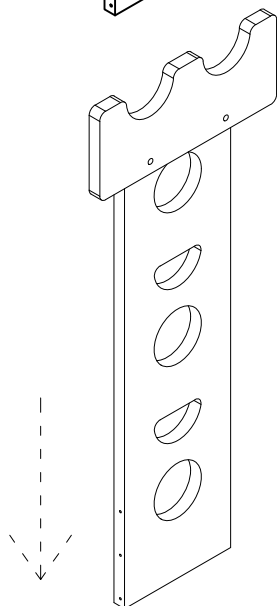
AN ELECTRIC SCREWDRIVER
WILL BE RECOMMENDED FOR
ASSEMBLY (NOT INCLUDED)



1 X5



2 X5



CAUTION:

- Do not allow children to climb on shelves.
- Do not use as a ladder or cart.

CARE AND CLEANING

- Clean wood with a damp cloth or sponge using warm water and mild soap. Wipe dry.
- Check for loose or worn parts periodically and tighten or replace as necessary
- Do not place unit near high heat.

Record the Batch-Number here. Information is located on the shipping carton and / or the product itself. Keep this sheet in an accessible place.

Model Number: **HW1-S225**

Batch-Number: _____

Distribution:
Wisdom Education Europe
Zum Poppchen Gut 3
09526 Olbernhau
GERMANY

www.wisdomeurope.com

INSTRUCTIONS

1. Please read the instructions and warning labels carefully before use.
2. Inspect items and play area for any potential hazards prior to use.
3. Maximum number of people using the equipment at the same time is 4 .
4. User age group: 3 ~ 14 years old.
5. Never leave children unattended. Ensure constant adult supervision.
6. Please pay attention to the safety of the surrounding environment before use and avoid use under bad weather conditions.
7. No climbing.
The height of all stepping positions are less than 60cm.
8. If the material is damaged and needs to be repaired, please contact the manufacture to repair or replace.
9. Please ensure that the installation ground is horizontal during installation and keep it horizontal during use.

MAINTENANCE

1. Clean with a moist cloth.
2. Use neutral cleaners for cleaning.
3. Regularly inspect the product.
4. Follow the below inspection cycle to adequately inspect the product.
5. Fill in the inspection record after the inspection.

INSPECTION INFORMATION

Inspection cycle	Inspection Project	YES/NO	Solution	Signature
Daily Inspection on Items	Check screws, bolts and fasteners are tightened.			
	Installed on a flat surfact and no hazards are present.			
	Equipment is free of dirt and moisture.			
	Check for a signs of damage and wear.			
Monthly Inspection on Items(Except for Daily Inspection on Items)	Check screws are free of rust and damage.			
	Check parts are securely connected.			
	Check compliance labels are intact.			
Annual Inspection on Items(Except for Daily and Monthly Inspection on Items)	Check there is no extensive corrosion and replace if required.			
	Check for cracking or connecting part deterioration. Replace if required.			
	Check there is no excessive discolouration of components.			
	Check screws and connectors are in working order and not damaged or deteriorated.			
	Check compliance labels are legible.			
	Check the play area under the equipment is safe and level.			

