

Tools

Philips Screwdriver



Allen Key (supplied)



Check List

Familiarise yourself with the contents



Check there is nothing missing



Check you have all the tools required



Make room to assemble the product

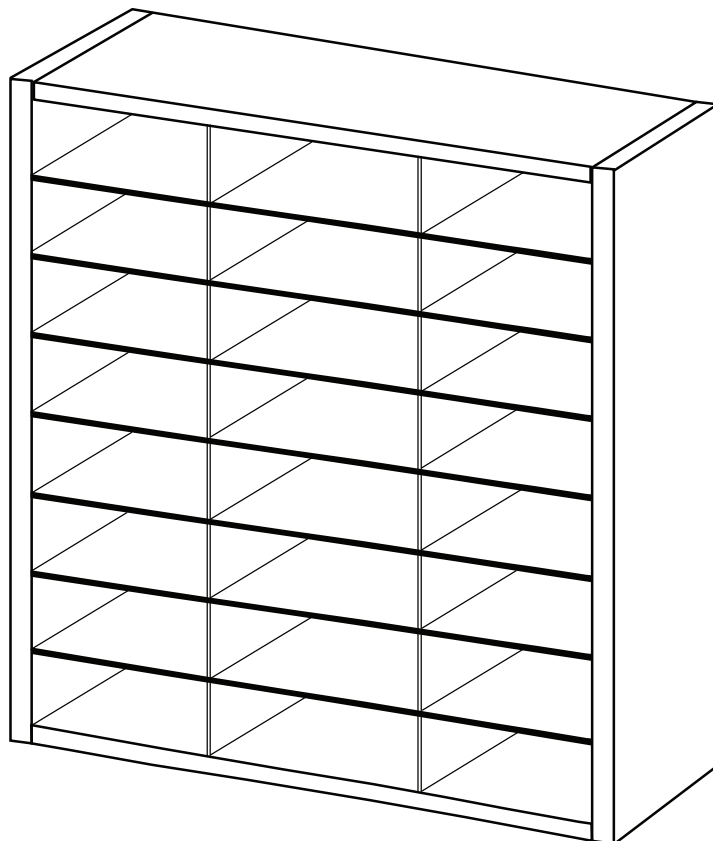


Assembly Instructions

24 SECTION LITERATURE ORGANISER

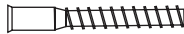

Code: AB450




Before starting to assemble this unit please read the step by step assembly instructions carefully.



**Contact Number
0151 479 3030**

Profile Education

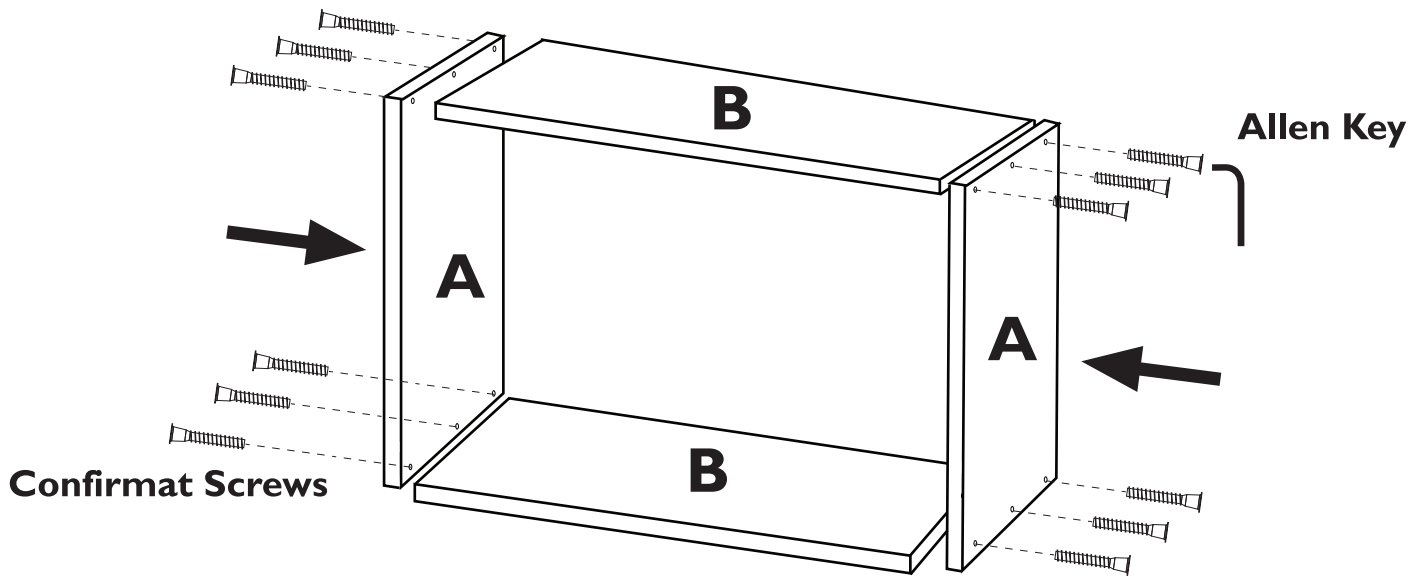
Components		Quantity
Confirmat Screws		12
Screw Caps		12
Trims		7
3/4" Nails		40
Allen Key		1

Panels	Quantity	Size (mm)
	2	598x300mm
	2	704x300mm
	3	593x243mm

Contact Number
0151 479 3030

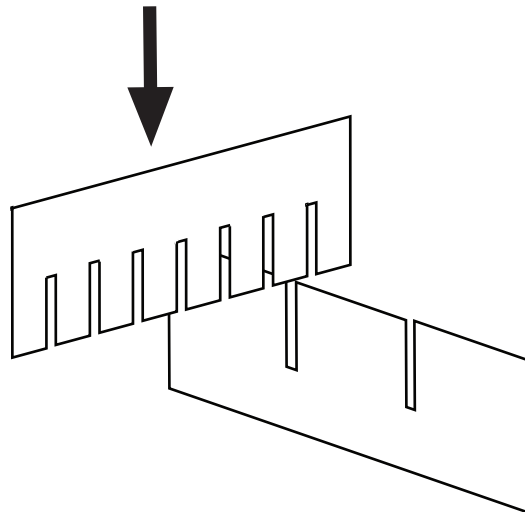
Step 1

Secure ends A to top and bottom using (12) Confirmat Screws.



Step 2

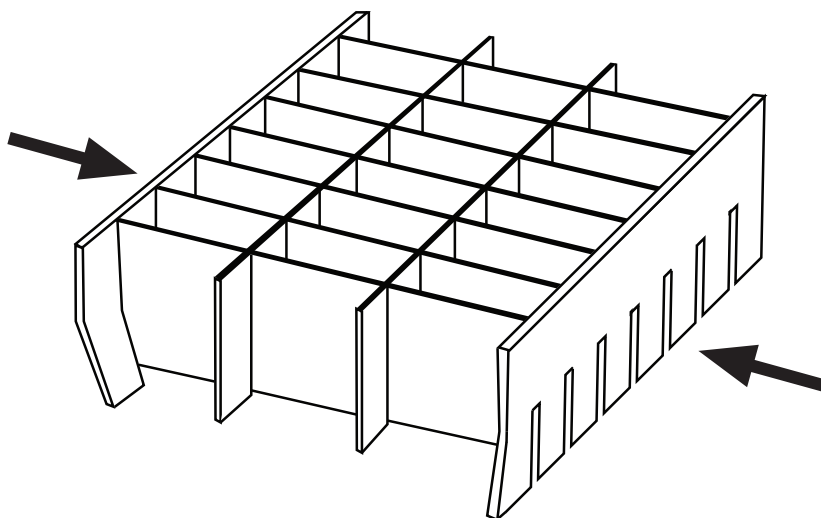
Slot cardboard partitions together as shown.



Contact Number
0151 479 3030

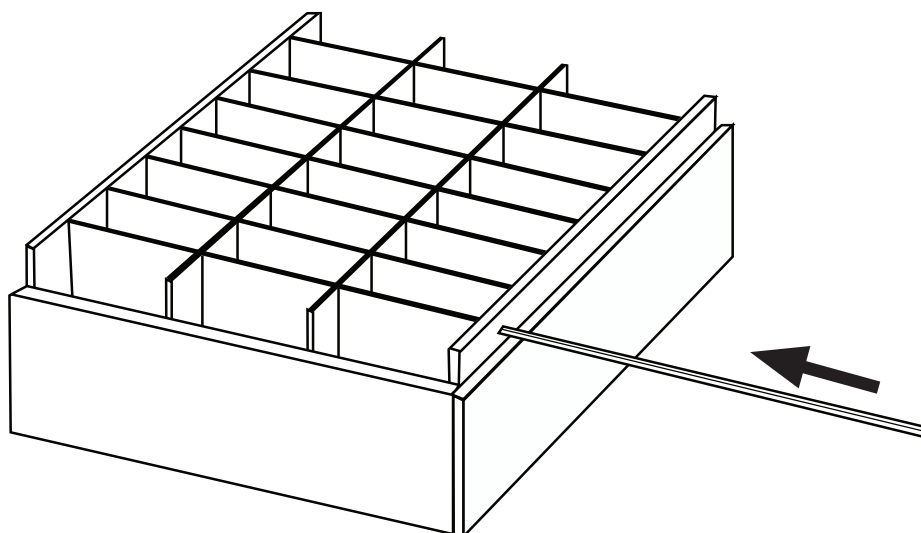
Step 3

Position end partitions - flex partition 'tails' inwards.



Step 4

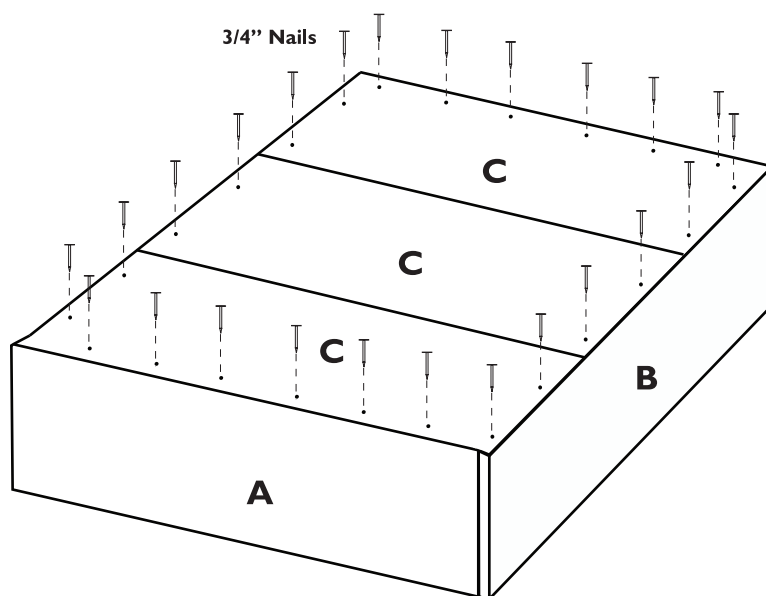
Position unit face up on floor. Lower partition assembly into the unit and slide a channel on to partition before partition is flush with ends.



Contact Number
0151 479 3030

Step 5

Carefully turn unit over. Position back panels as shown and secure with nails.



Contact Number
0151 479 3030