

Tools

Allen Key (supplied)

Check List

Familiarise yourself with the contents

Check there is nothing missing

Check you have all the tools required

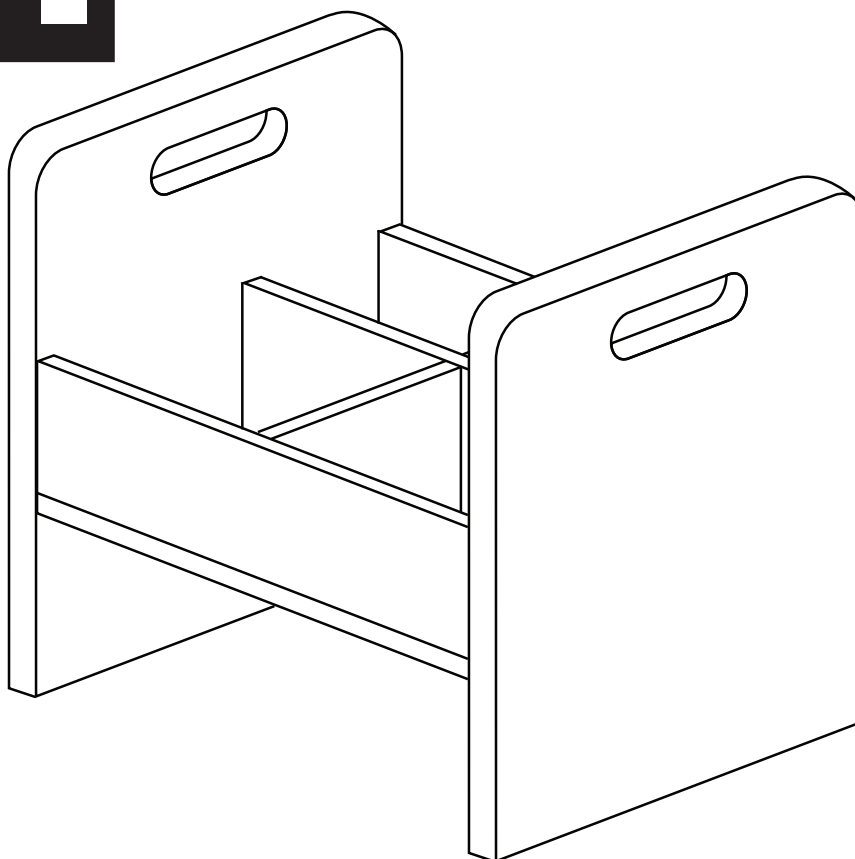
Make room to assemble the product

Assembly Instructions

MAPLE BROWSER BOX

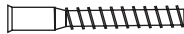


Code: MAPBBX

Before starting to assemble this unit please read the step by step assembly instructions carefully.







**Contact Number
0151 479 3030**

Profile Education

Components		Quantity
Confirmat Screws		20
30 x 6mm Dowels		8
Trim		2
Allen Key		1
Glue		1

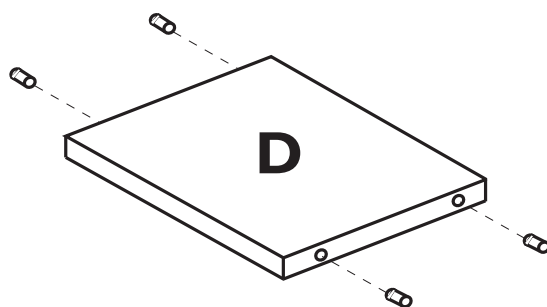
IMPORTANT – Apply a small amount of glue in to the dowel holes before dowels are inserted.

Panels	Quantity	Size (mm)
 END A	2	685x585mm
 DIVIDER B	3	645x210mm
 BOTTOM C	1	669x645mm
 DIVIDER D	2	311x208mm

Contact Number
0151 479 3030

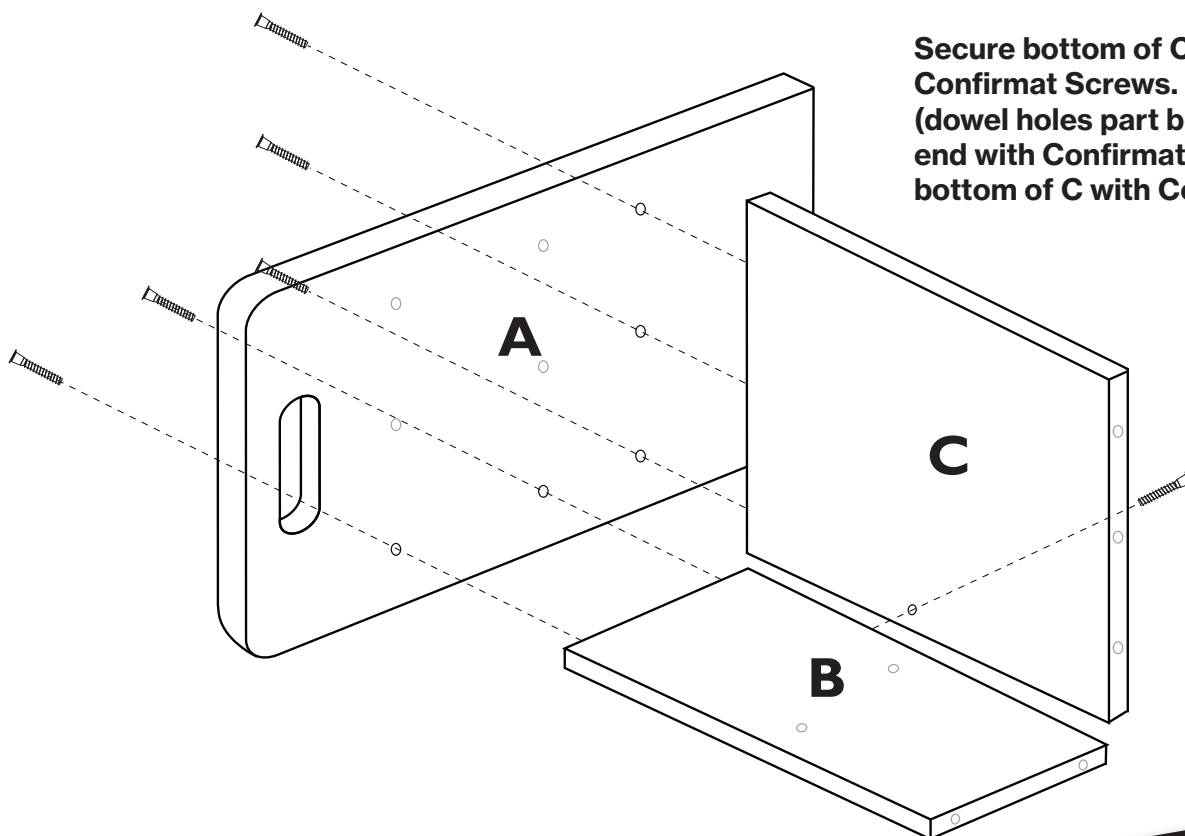
Step 1

Knock dowels in to side holes (to bottom of hole).



Step 2

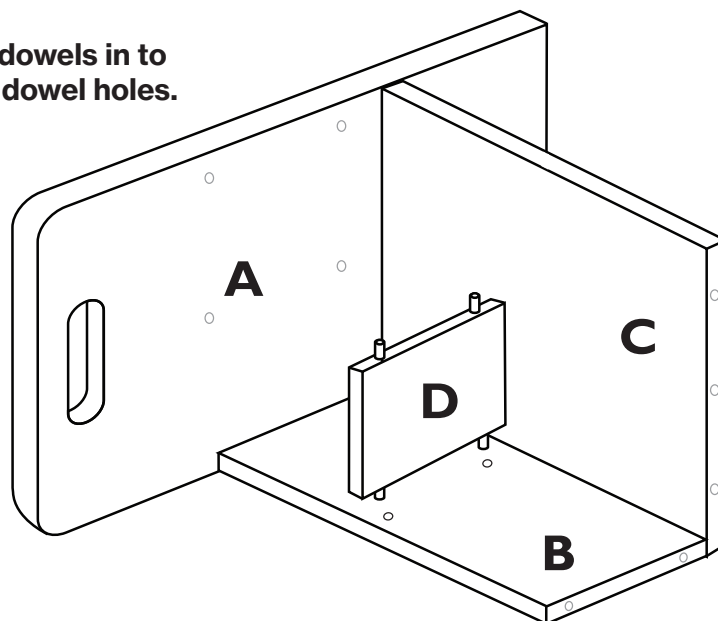
Secure bottom of C to end using Confirmat Screws. Secure divider B (dowel holes part bored through) to end with Confirmat Screws and to bottom of C with Confirmat Screw.



Contact Number
0151 479 3030

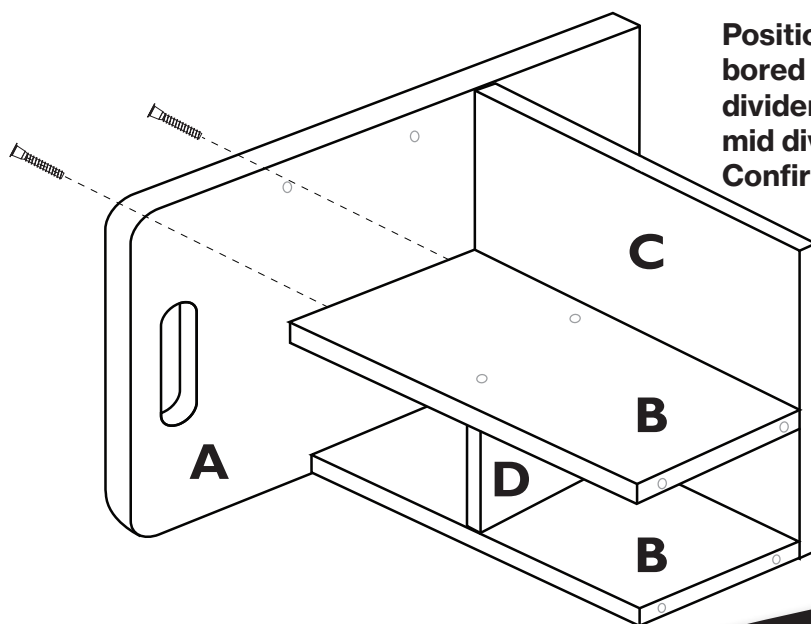
Step 3

Push divider D dowels in to outer divider B dowel holes.



Step 4

Position divider B (dowel holes bored straight through) on to divider D and push down. Secure mid divider B to end A with Confirmat Screws.

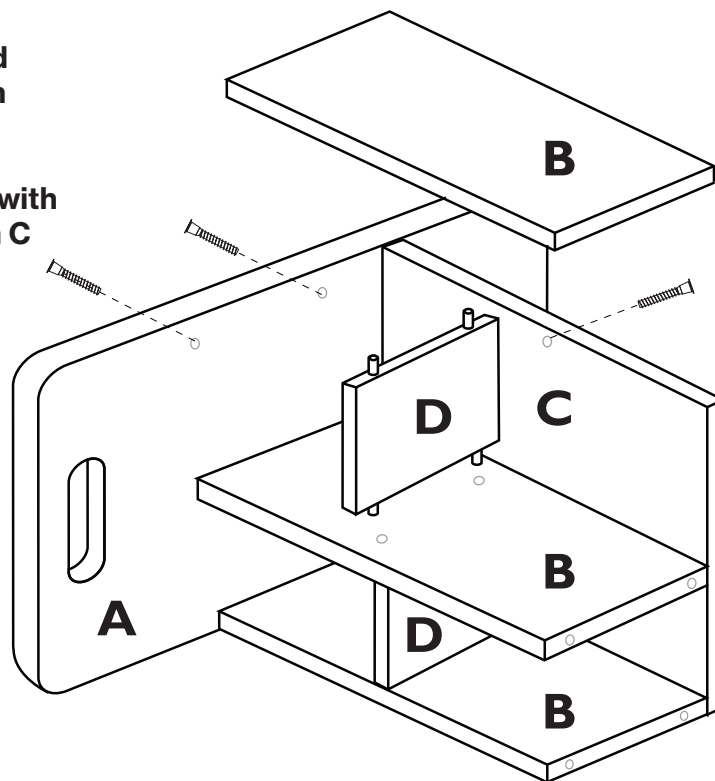


Contact Number
0151 479 3030

Step 5

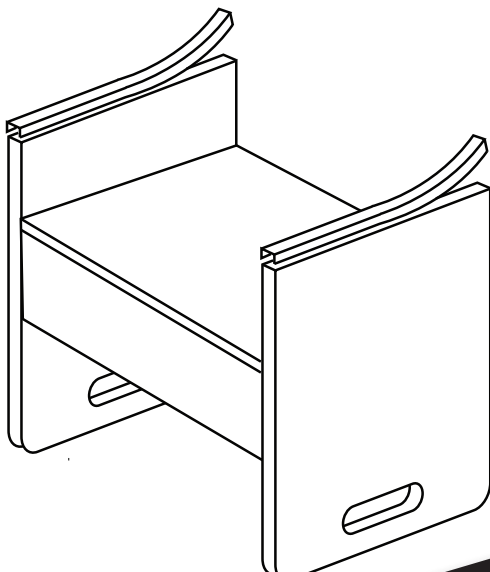
Push divider D dowels into mid divider B dowel holes. Position outer divider B onto dowels in mid divider D and press down. Secure outer divider B to end with Confirmat Screws and bottom C with Confirmat Screw.

Secure other end A using (9) Confirmat Screws.



Step 6

Bend trim in to end as shown.



Contact Number
0151 479 3030