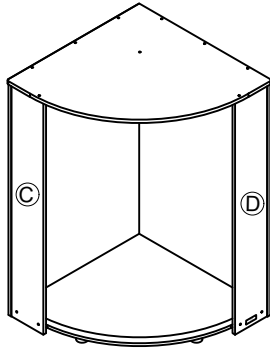


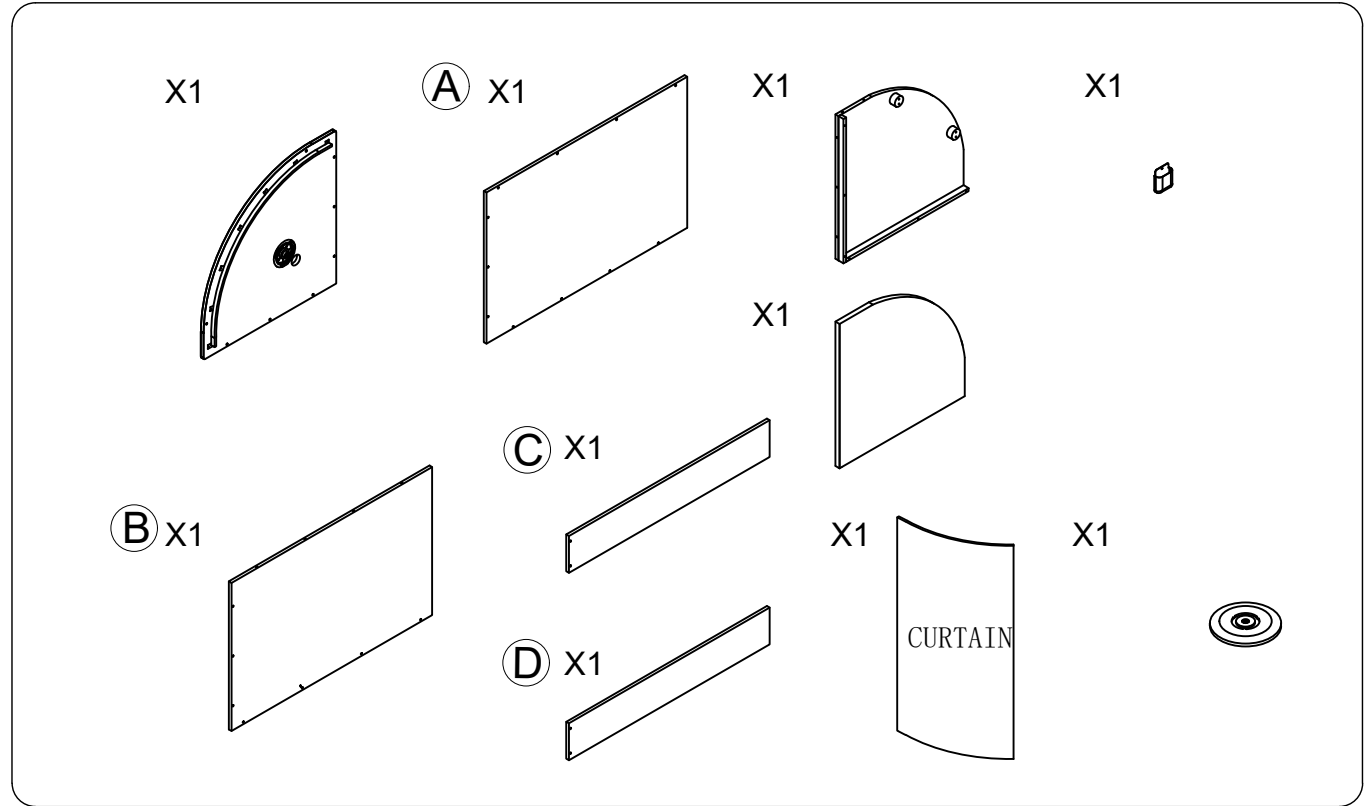
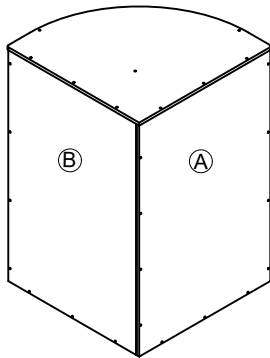
PART LIST

KB1-EN015-30-A

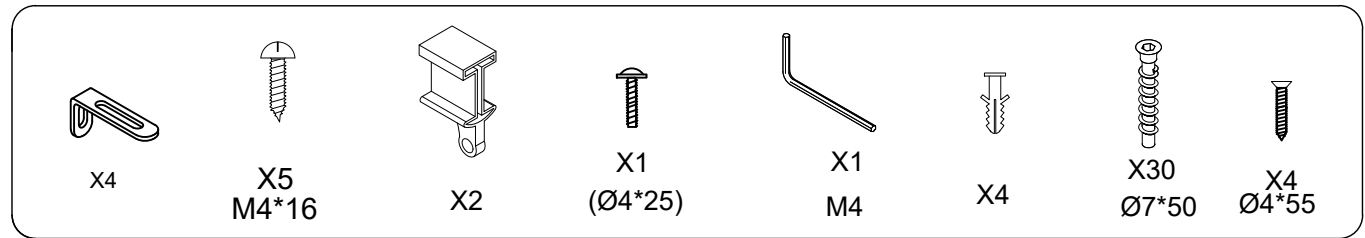
FRONT



BACK



HARDWARE



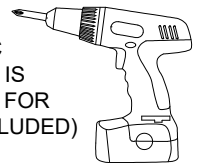
! WARNING:

- Contains small parts,sharp points and edges.
- Adult assembly required.
- Two adults recommended.
- Do not stand, sit, kneel or pull on unit for support.
- Never leave children unattended.
- Do not place unit near high heat or moisture.
- Adult supervision recommended.
- Clean with a moist cloth.

TIP!
DO NOT FULLY
TIGHTEN SCREWS
UNTIL ALL SCREWS
HAVE BEEN LOOSELY
POSITIONED.

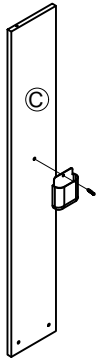
BEFORE
ASSEMBLING,
MAKE SURE THERE
ARE NO
MISSING PARTS.

NOTE:
AN ELECTRIC
SCREWDRIVER IS
RECOMMENDED FOR
ASSEMBLY(NOT INCLUDED)



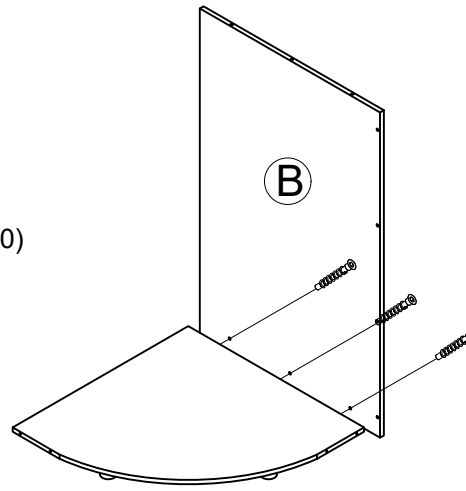
1

X1
M4*16



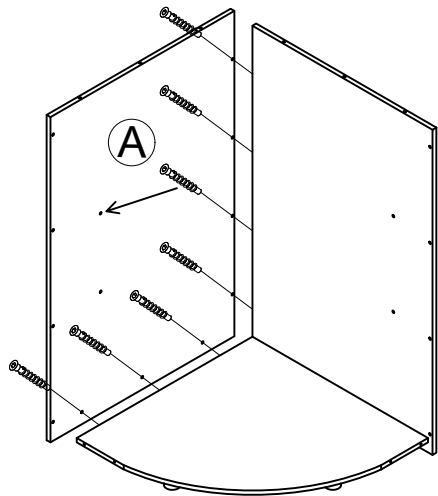
2

X3
(Ø7*50)



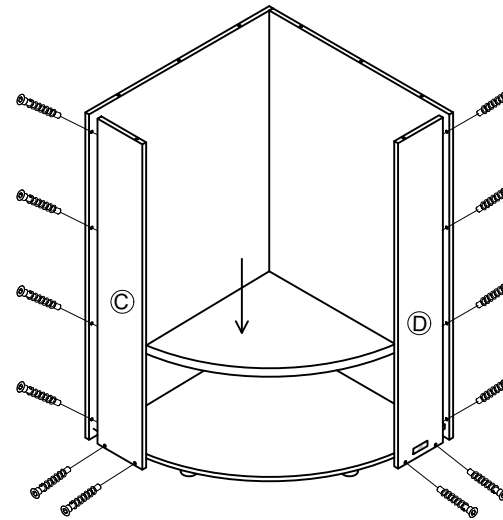
3

X7
(Ø7*50)



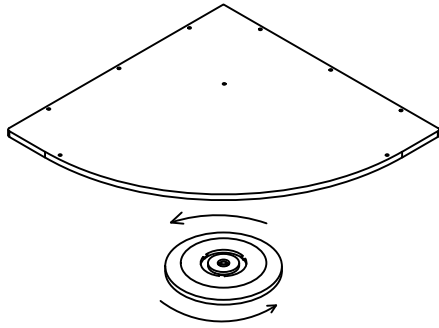
4

X12
(Ø7*50)



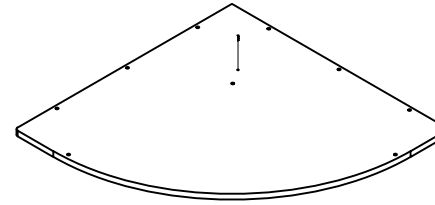
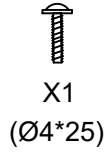
NOTE: Wall-mounted holes face outwards.

5

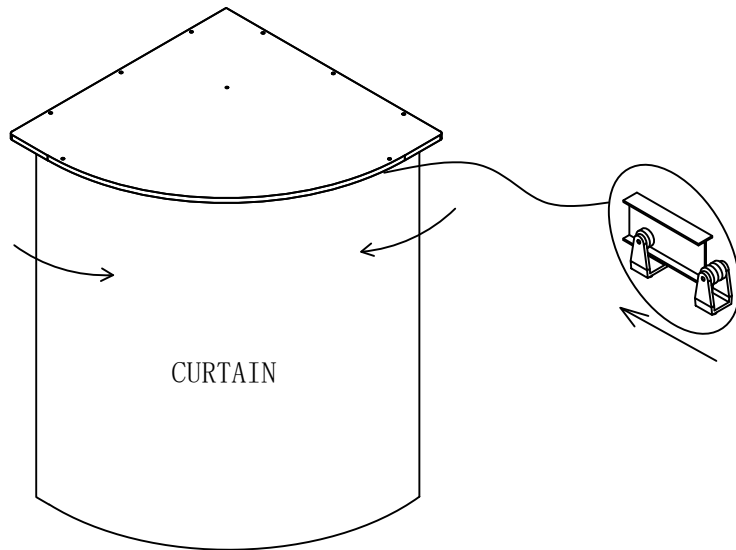


Embed the lamp into the base ,rotate and fix it

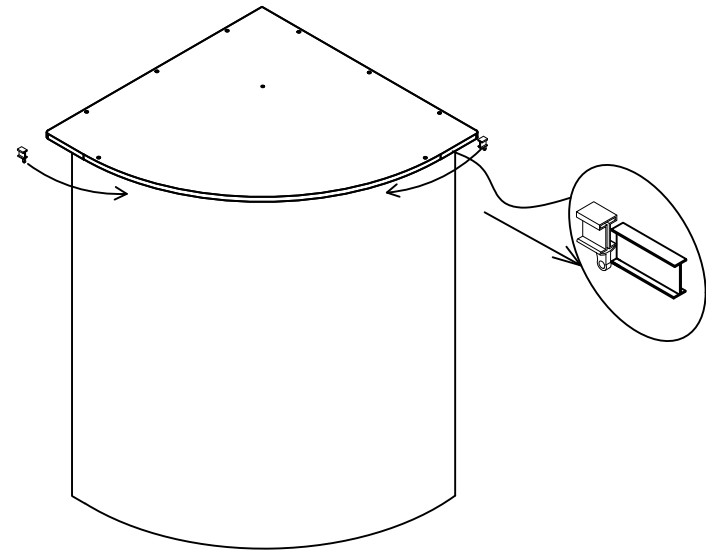
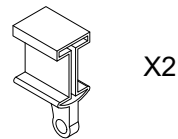
6



7



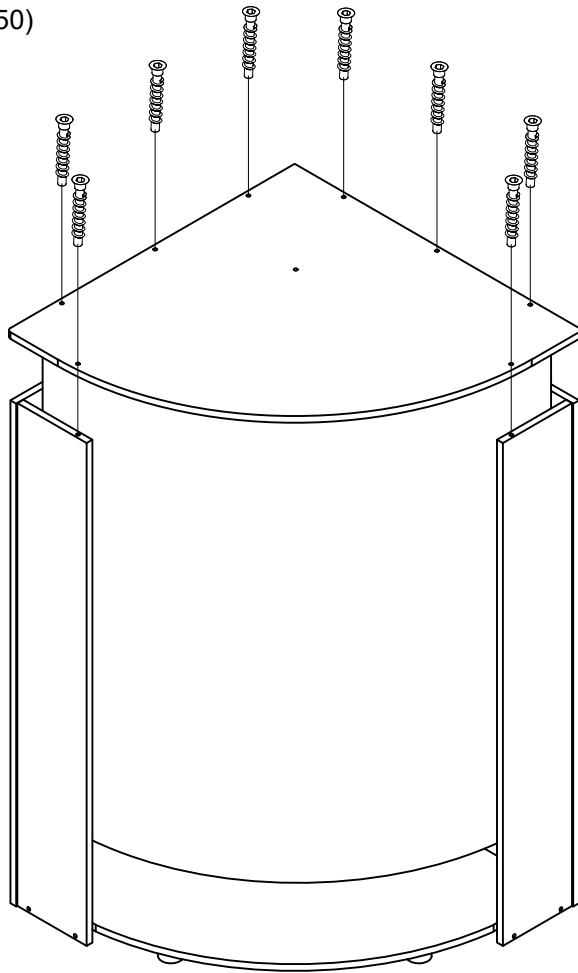
8



Wall-mounted Option 1

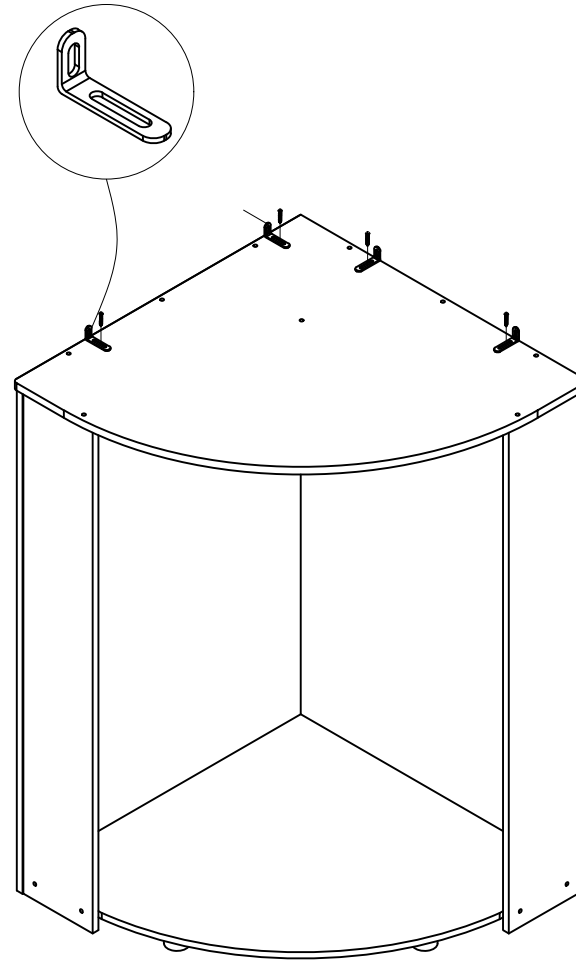
9

X8
(Ø7*50)



10

X4
M4*16
X4

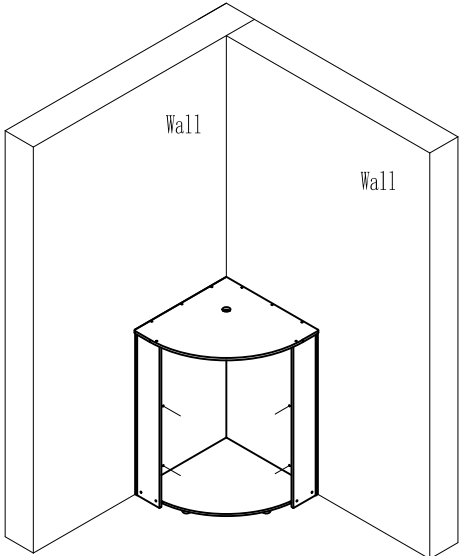


- Risk assessment should be undertaken to assess the risk of furniture tipping over. To help prevent furniture tip-over, anchor items (especially tall furniture) to a wall. To attach furniture to a wall you must use the correct fasteners compatible for your wall construction. Consult a specialist hardware supplier for guidance to secure your furniture. Other ways to help prevent tipping are to place heaviest objects on the bottom shelf /drawer and never let children climb or hang on the furniture. Note: Use of furniture restraints may only reduce, but not eliminate, the risk of tip-over.

Wall-mounted Option 2

11

1: Use the pro-drilled holes on the cabinet to mark on the wall

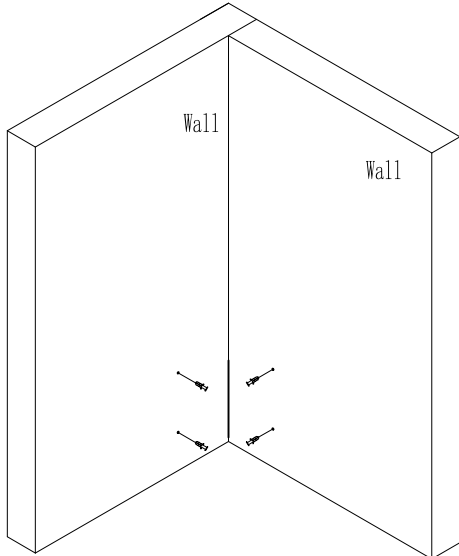


12



X4

2: Drill holes into the wall according to the positioning marks, and insert expansion nuts.

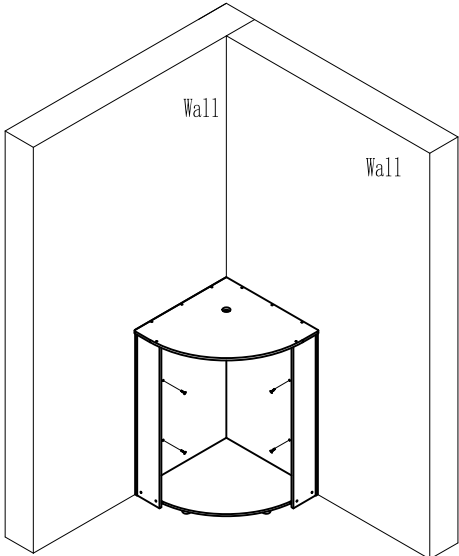


13



X4
Ø4*55

3: Insert expansion screw and fasten to fix the cabinet





CAUTION:

- Do not allow children to climb on shelves.
- Do not use as a ladder or cart.

CARE AND CLEANING

- Clean wood with a damp cloth or sponge using warm water and mild soap. Wipe dry.
- Do not place near heat, moisture or vaporizer which may cause wood to warp and peel.
- Check for loose or worn parts periodically and tighten or replace as necessary.

1 YEAR LIMITED WARRANTY

Our products will supply to the original owner, without charge, any part discovered to be missing at the time of purchase or found to be defective during the 1-year warranty period. The warranty begins on the date of purchase. The model number and the part description must be owner damage, product alteration, or unreasonable use. If you need assistance, contact Us.

Record the manufacture date here. Information is located on a label enclosed, and on the shipping carton. Place label and this sheet in an accessible place.

REMOTE CONTROL - This item requires 2 x AAA battery (not supplied)

Please keep remote control out of reach of young children (in particular less than 3 years)

User Age Group: 3Y+

Model Number: KB1-EN015-30-A

Manufacture Date: _____

Fasten your Hex Key Tool in the box below and keep in a convenient place for future use.

