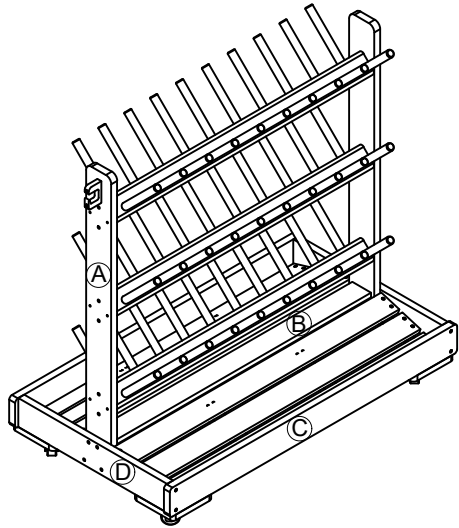
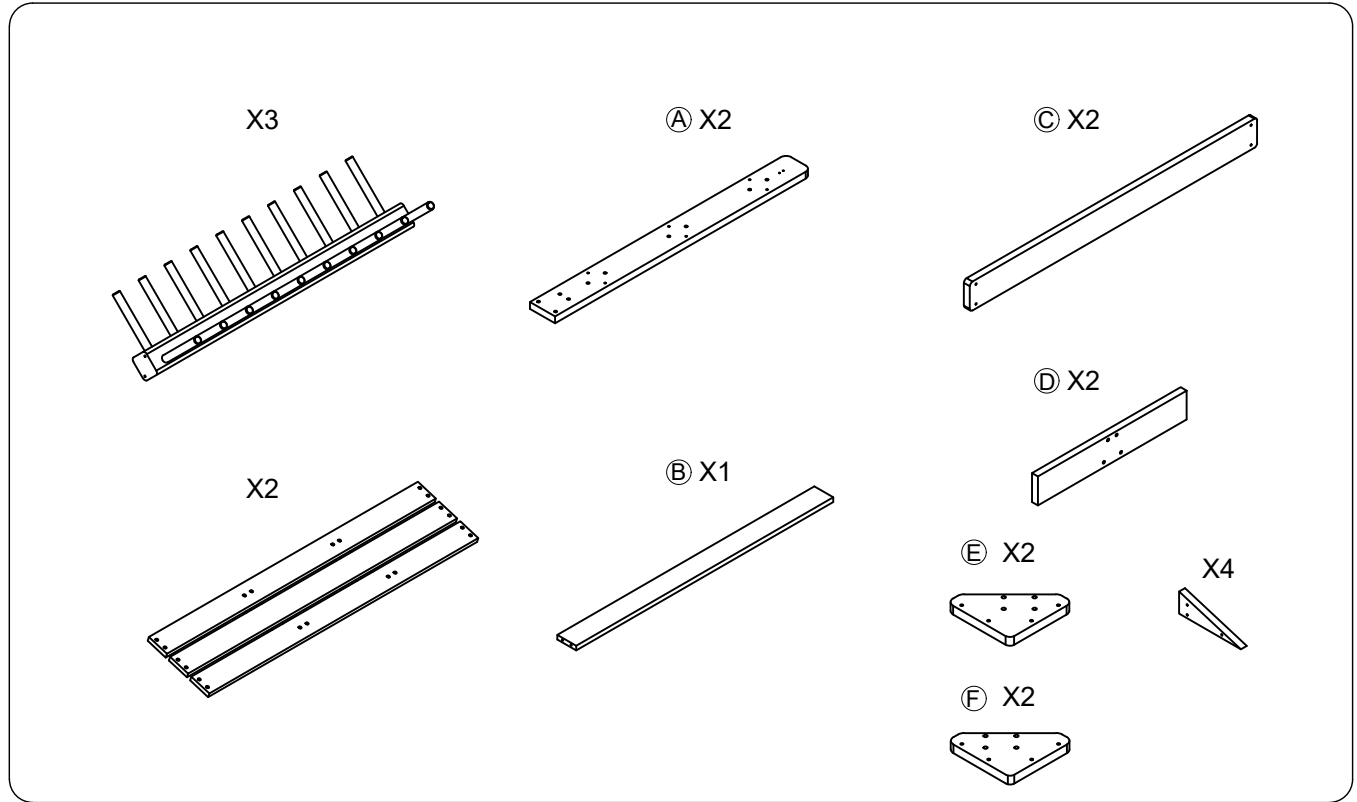


WISDOM
HW1-S626-A
Outdoor Boot Cart

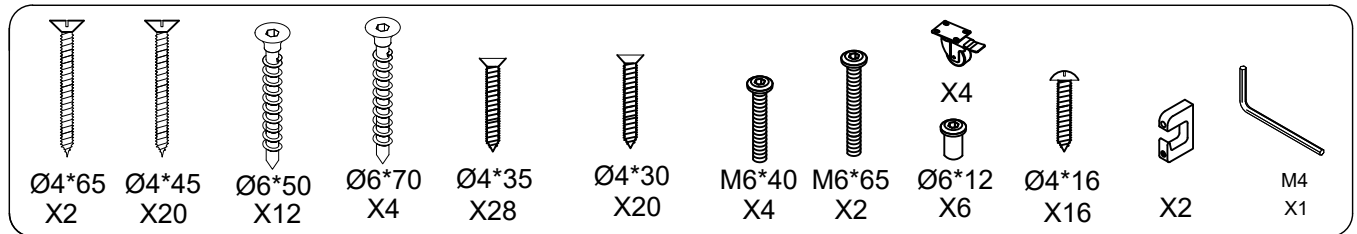
FRONT



PART LIST



HARDWARE



WARNING:

- Contains small parts, sharp points and edges.
- Adult assembly required.
- Two adults recommended.
- Do not stand, sit, kneel, limb, lean or pull on unit for support.
- Never leave children unattended.
- Do not place unit near high heat or moisture.
- Adult supervision recommended.

TIP!
 DO NOT FULLY
 TIGHTEN SCREWS
 UNTIL ALL SCREWS
 HAVE BEEN LOOSELY
 POSITIONED.

BEFORE
 ASSEMBLING,
 MAKE SURE THERE
 ARE NO
 MISSING PARTS.

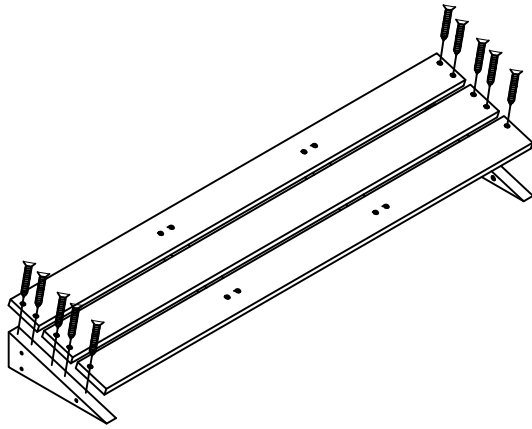
NOTE:
 A ELECTRIC
 SCREWDRIVER WILL
 BE RECOMMENDED FOR
 ASSEMBLY (NOT INCLUDED)

1

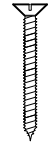


Ø4*30
X20

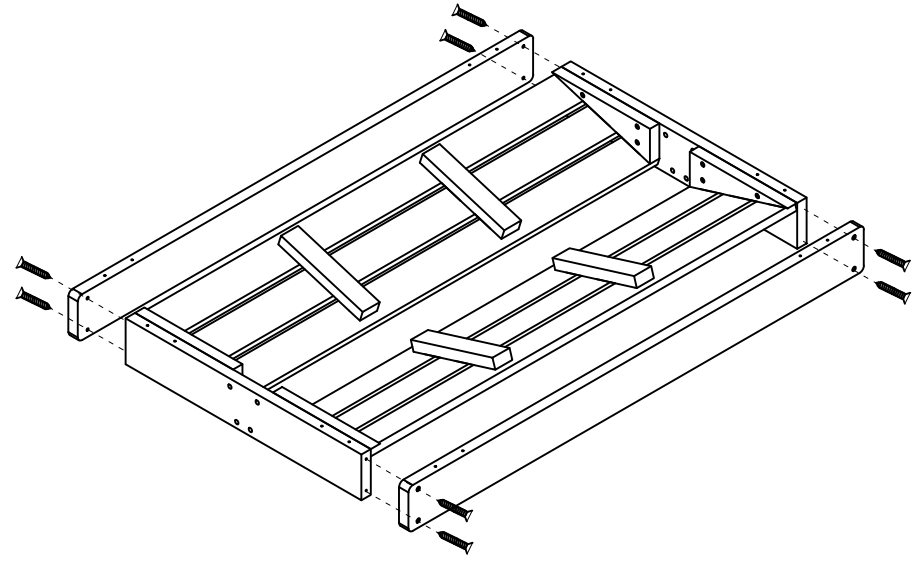
X2



3



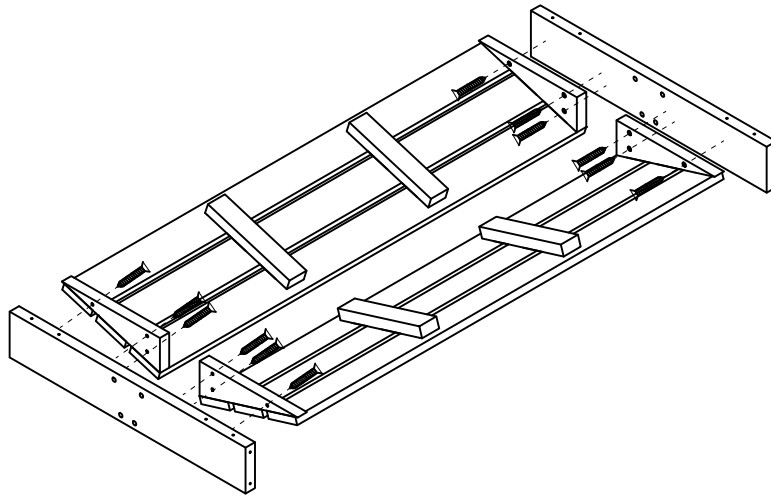
Ø4*45
X8



2



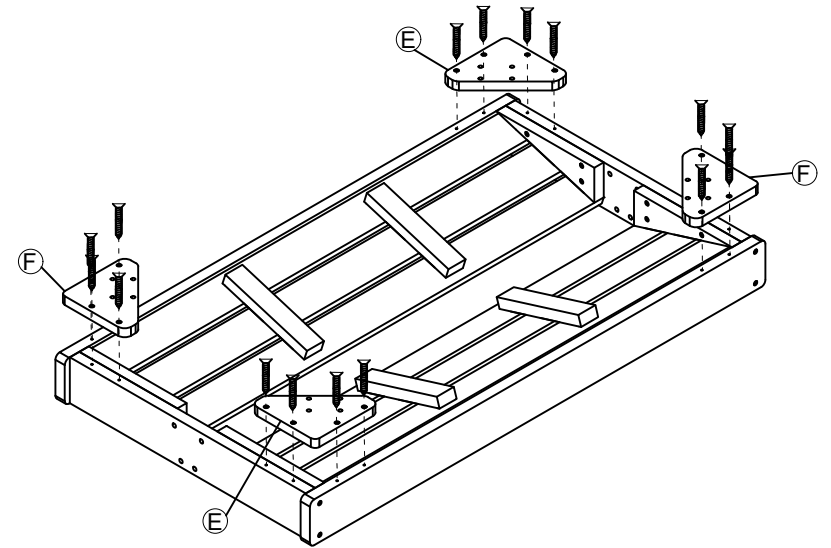
Ø4*35
X12



4



Ø4*35
X16



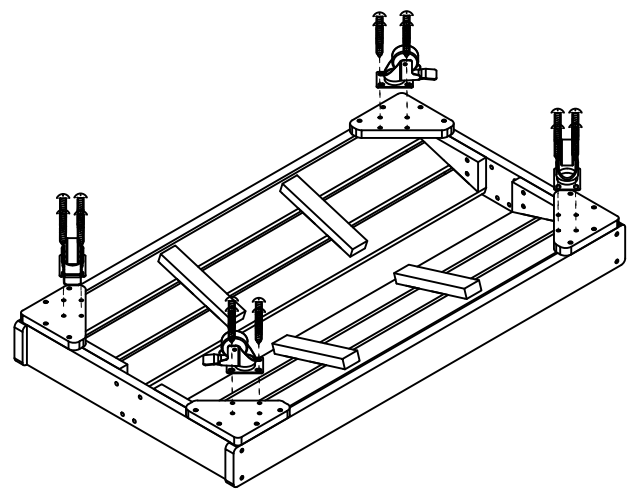
5



X4



Ø4*16
X16



7



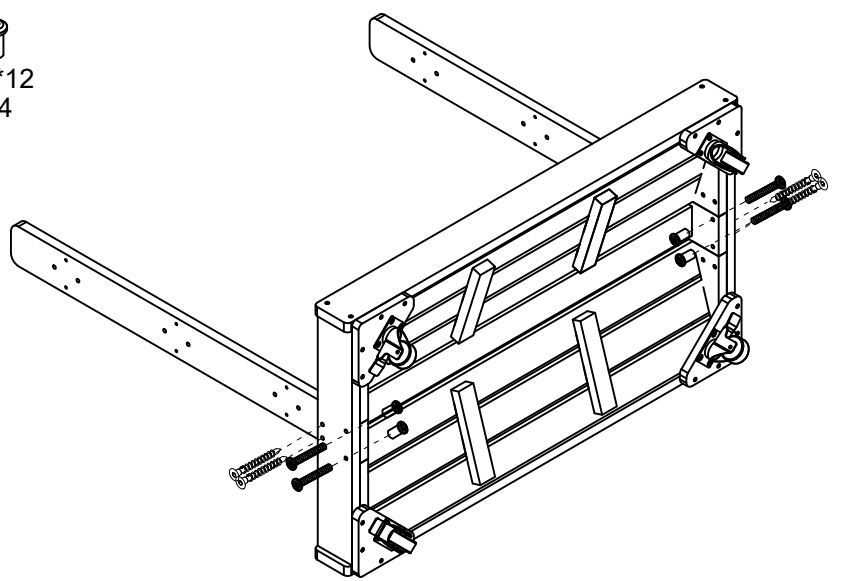
M6*40
X4



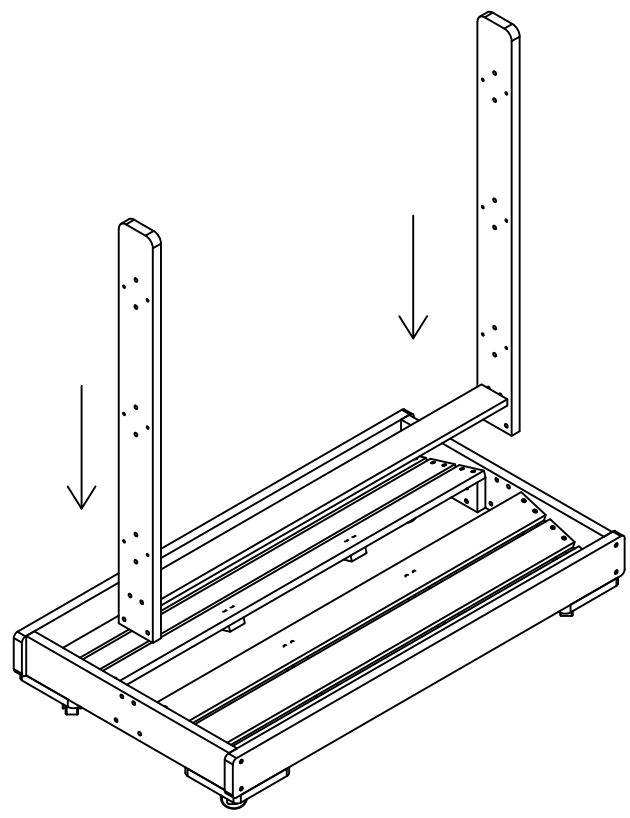
Ø6*12
X4



Ø6*70
X4



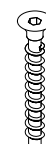
6



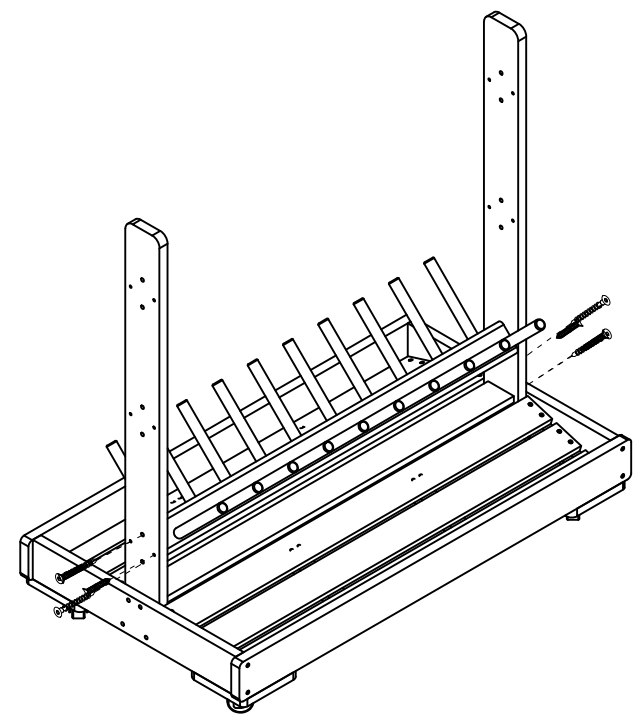
8



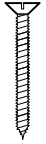
Ø4*45
X4



Ø6*50
X4



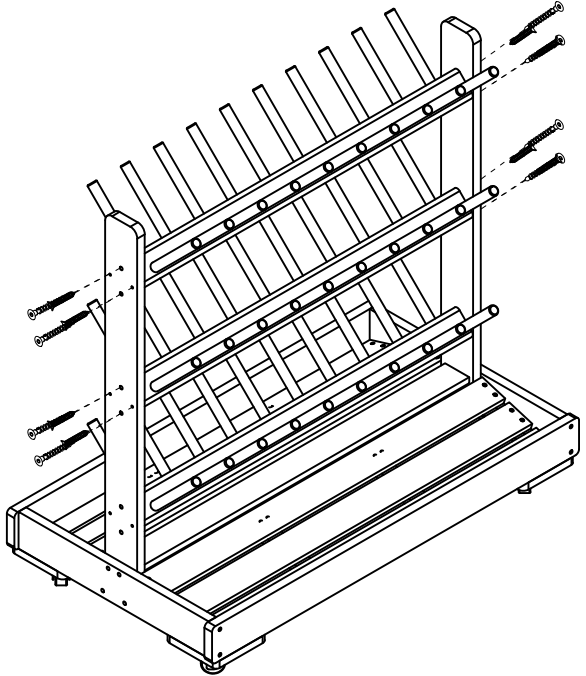
9



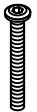
Ø4*45
X8



Ø6*50
X8



10



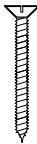
M6*65
X2



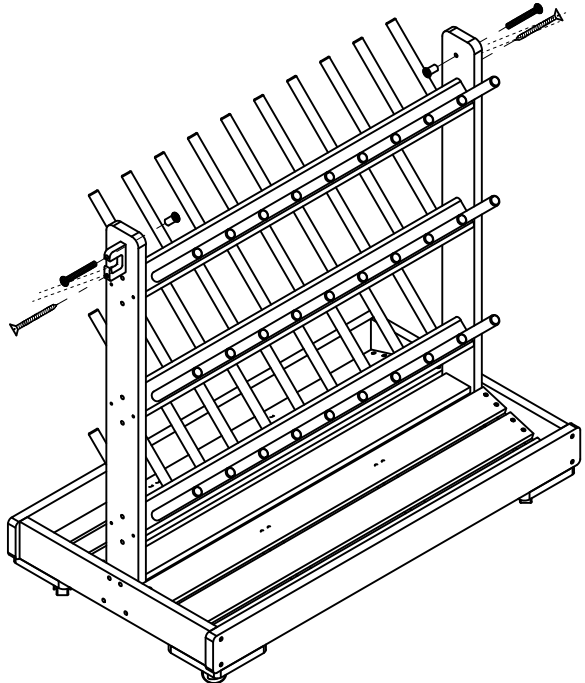
Ø6*12
X2



X2



Ø4*65
X2



CAUTION:

- Do not allow children to climb on shelves.
- Do not use as a ladder or cart.

CARE AND CLEANING

- Clean wood with a damp cloth or sponge using warm water and mild soap. Wipe dry.
- Do not place near heat, moisture or vaporizer which may cause wood to warp and peel.
- Check for loose or worn parts periodically and tighten or replace as necessary.

1 YEAR LIMITED WARRANTY

Our products will supply to the original owner,without charge, any part discovered to be missing at the time of purchase or found to be defective during the 1-year warranty period. The warranty begins on the date of purchase.The model number and the part description must be owner damage, product alteration, or unreasonable use.If you need assistance, contact Us.

Record the manufacture date here. Information is located on a label enclosed, and on the shipping carton. Place label and this sheet in an accessible place.

Model Number: **HW1-S626-A**

Manufacture Date: _____

Fasten your Hex Key Tool in the box below and keep in a convenient place for future use.

