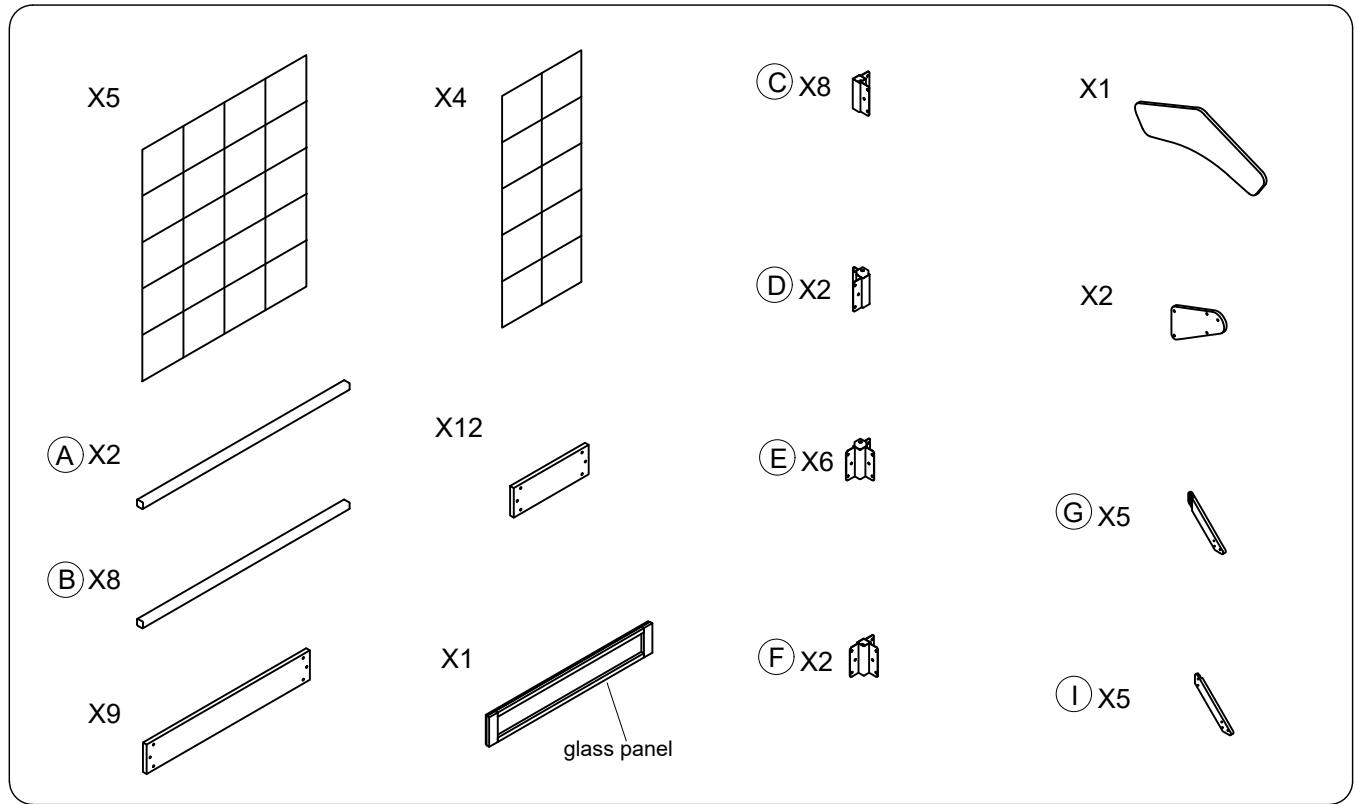
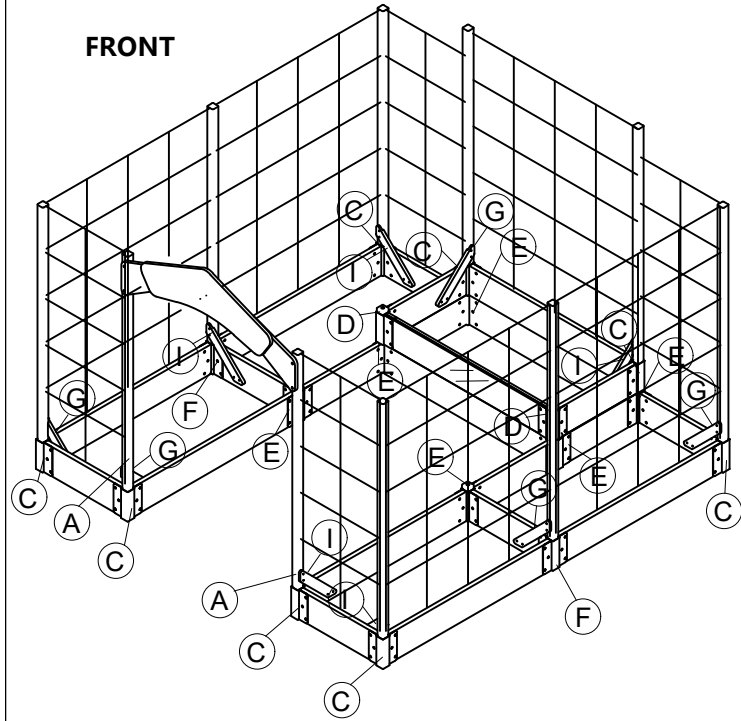
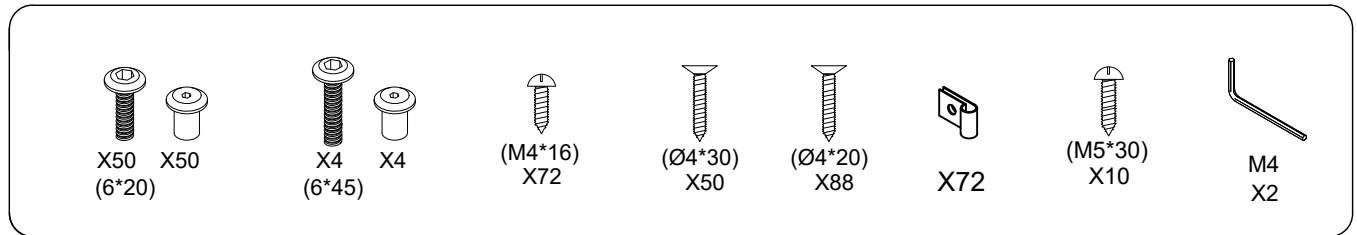


PART LIST

FRONT



HARDWARE



WARNING:

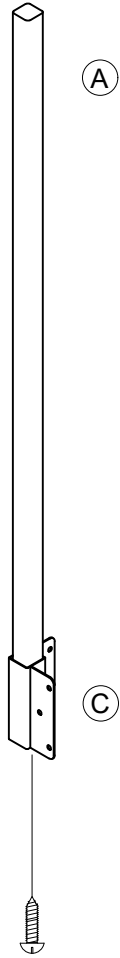
- Contains small parts, sharp points and edges.
- Adult assembly required.
- Two adults recommended.
- Do not stand, sit, kneel or pull on unit for support.
- Never leave children unattended.
- Do not place unit near high heat or moisture.
- Adult supervision recommended.
- Clean with a moist cloth.

TIP!
DO NOT FULLY
TIGHTEN SCREWS
UNTIL ALL SCREWS
HAVE BEEN LOOSELY
POSITIONED.

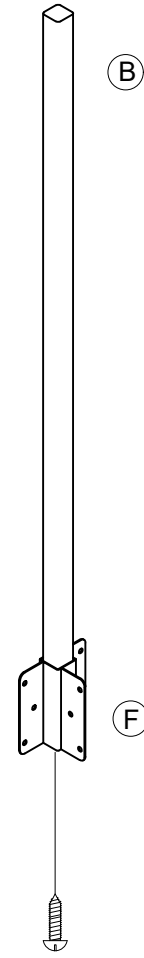
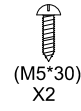
**BEFORE
ASSEMBLING,
MAKE SURE THERE
ARE NO
MISSING PARTS.**

NOTE:
AN ELECTRIC
SCREWDRIVER IS
RECOMMENDED FOR
ASSEMBLY (NOT INCLUDED)

1 x2

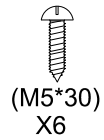


2 x2

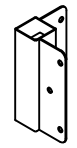
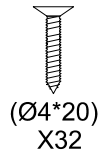


3

x6



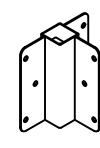
4



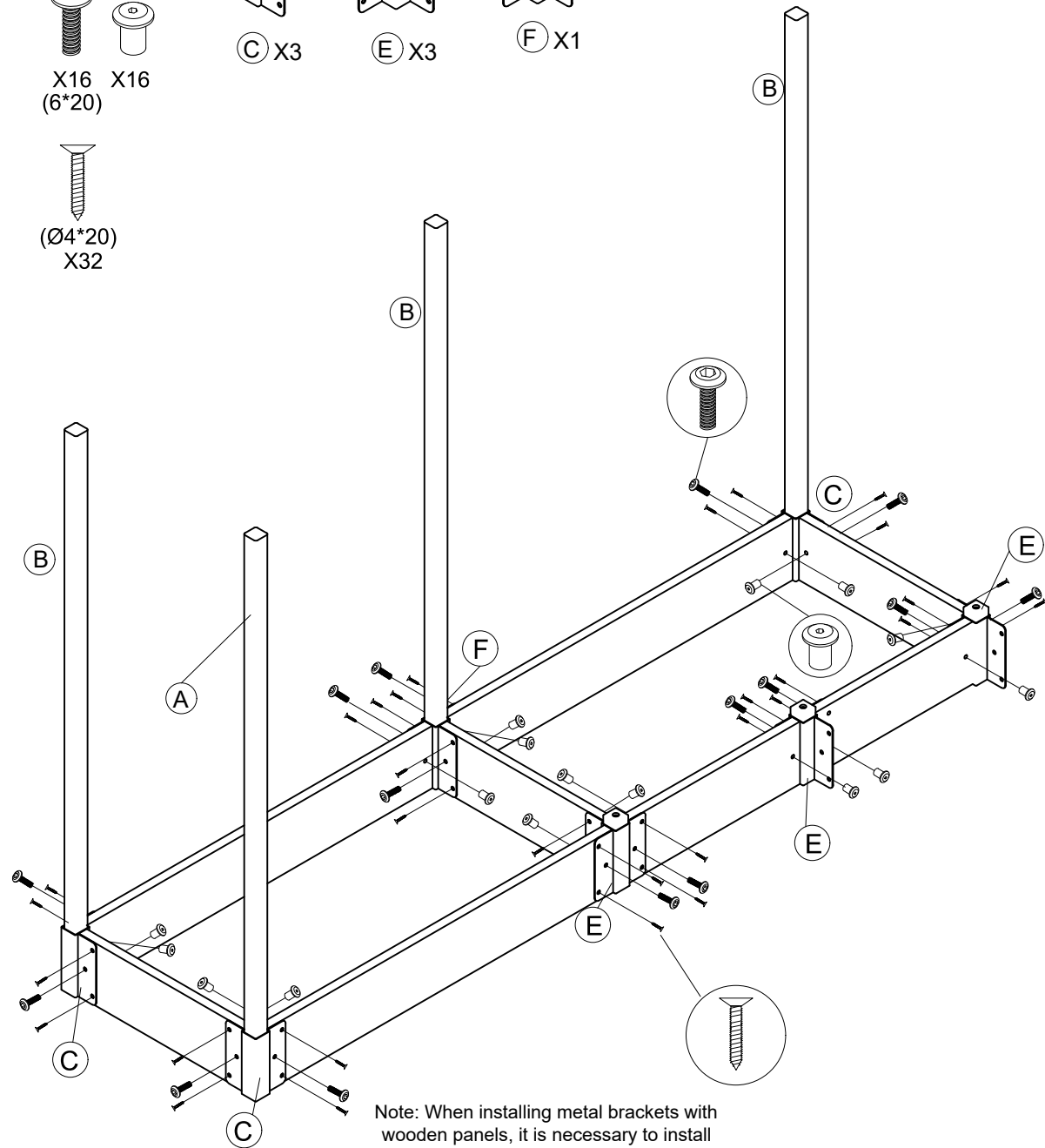
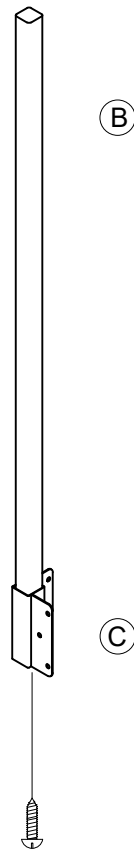
C X3



E X3



F X1

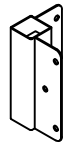


Note: When installing metal brackets with wooden panels, it is necessary to install locking screws firstly, then install self-tapping screws.

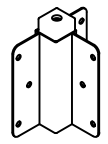
5

X16 X16
(6*20)

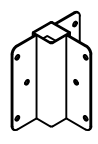
(Ø4*20)
X32



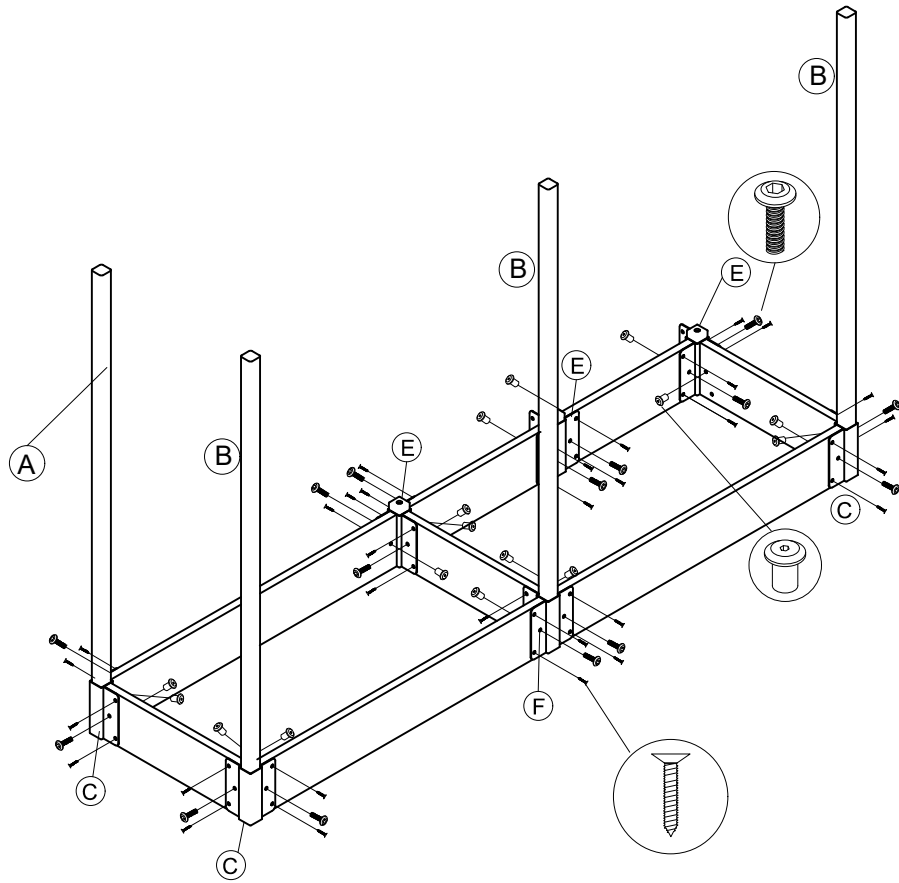
C X3



E X3



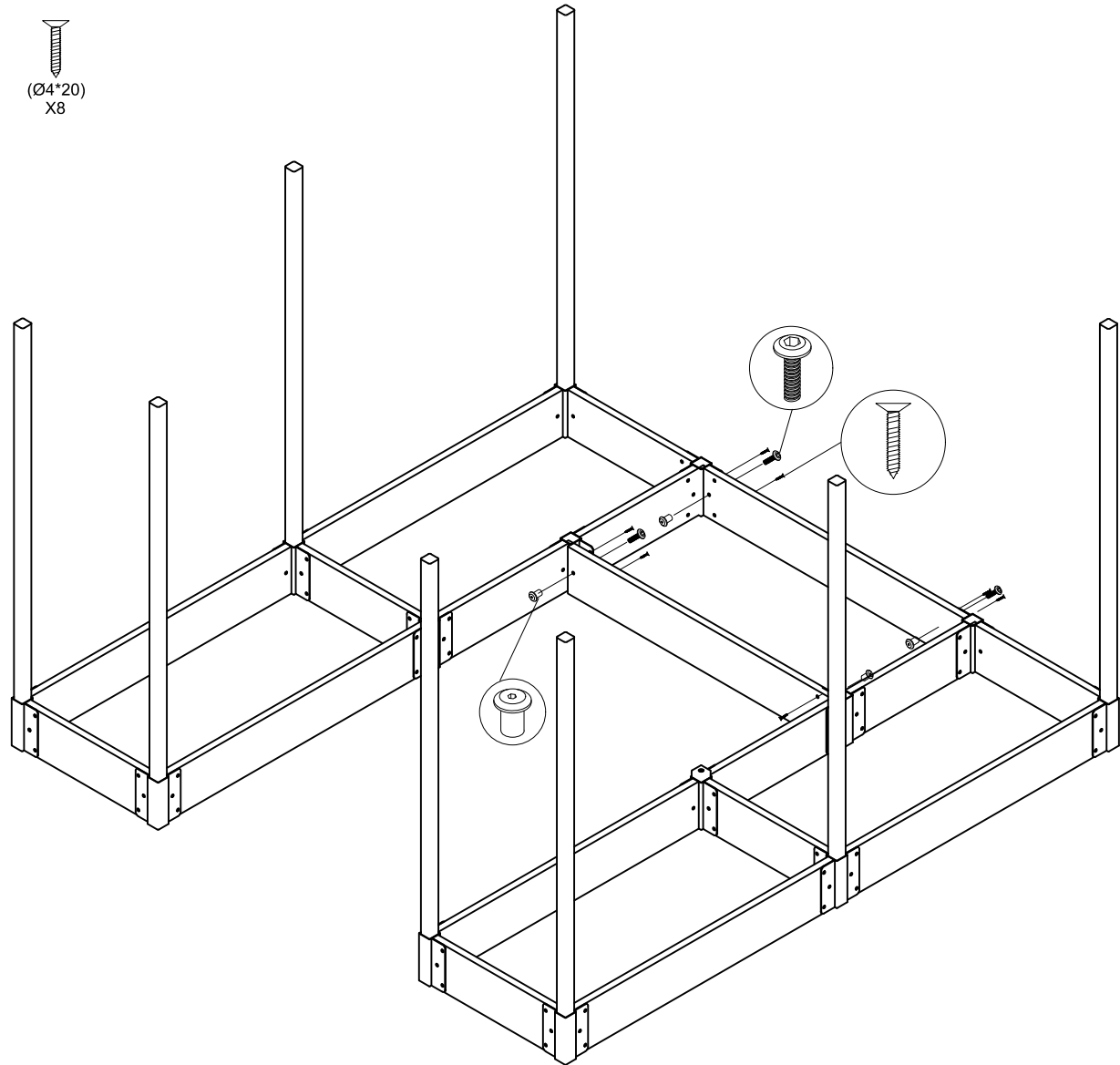
F X1



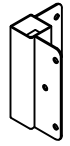
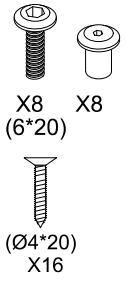
6

X4 X4
(6*20)

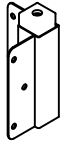
(Ø4*20)
X8



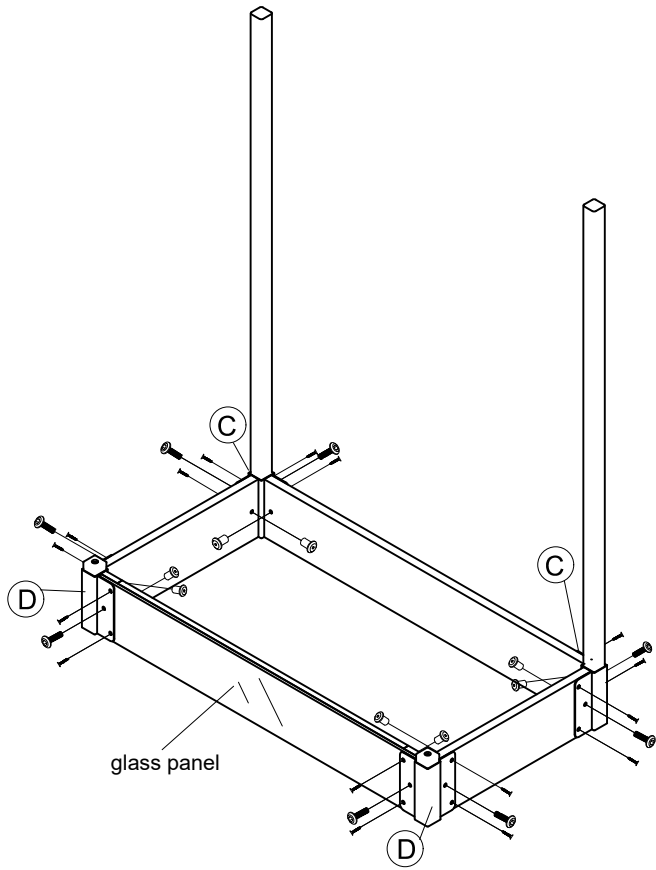
7



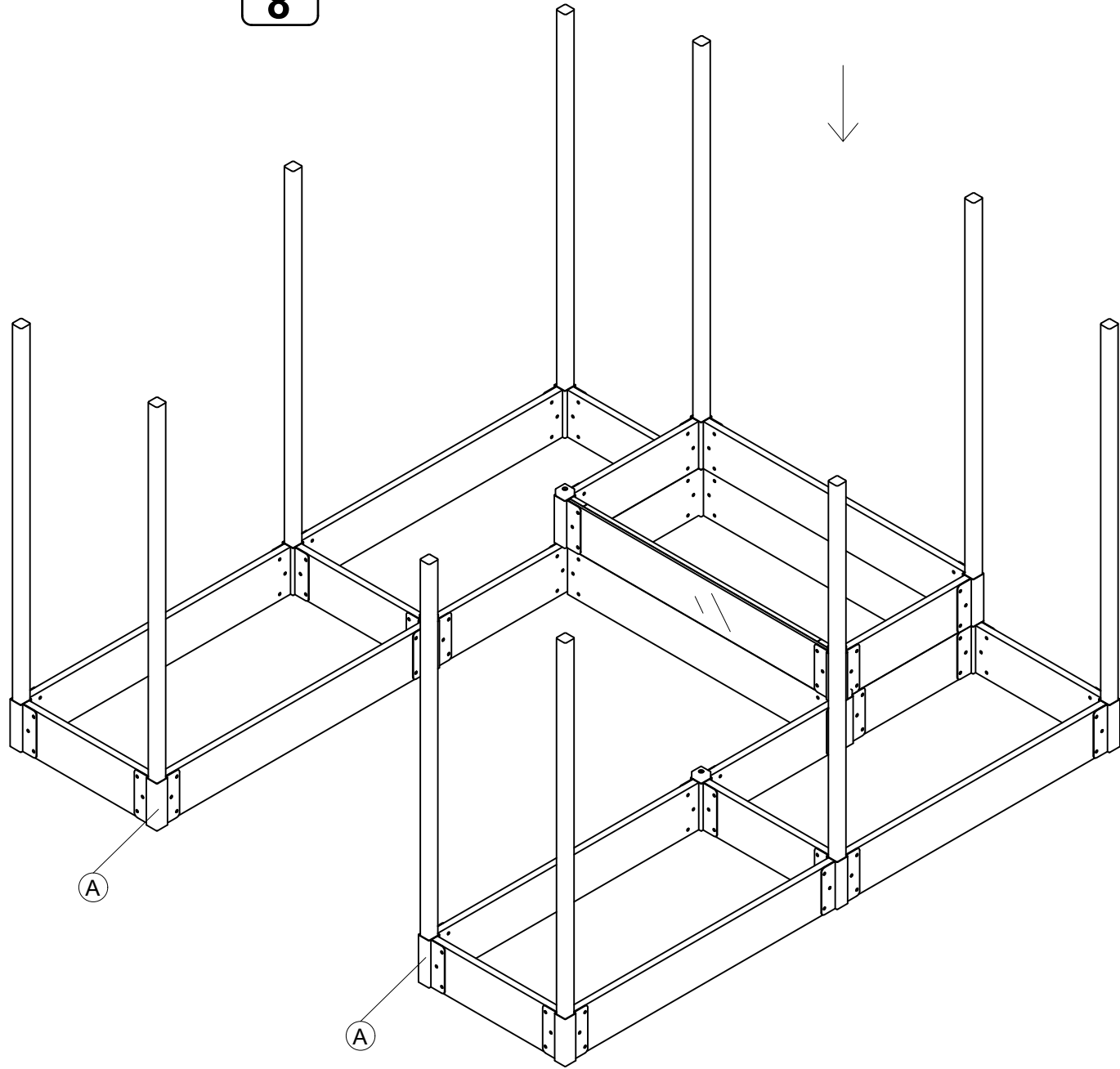
C X2



D X2



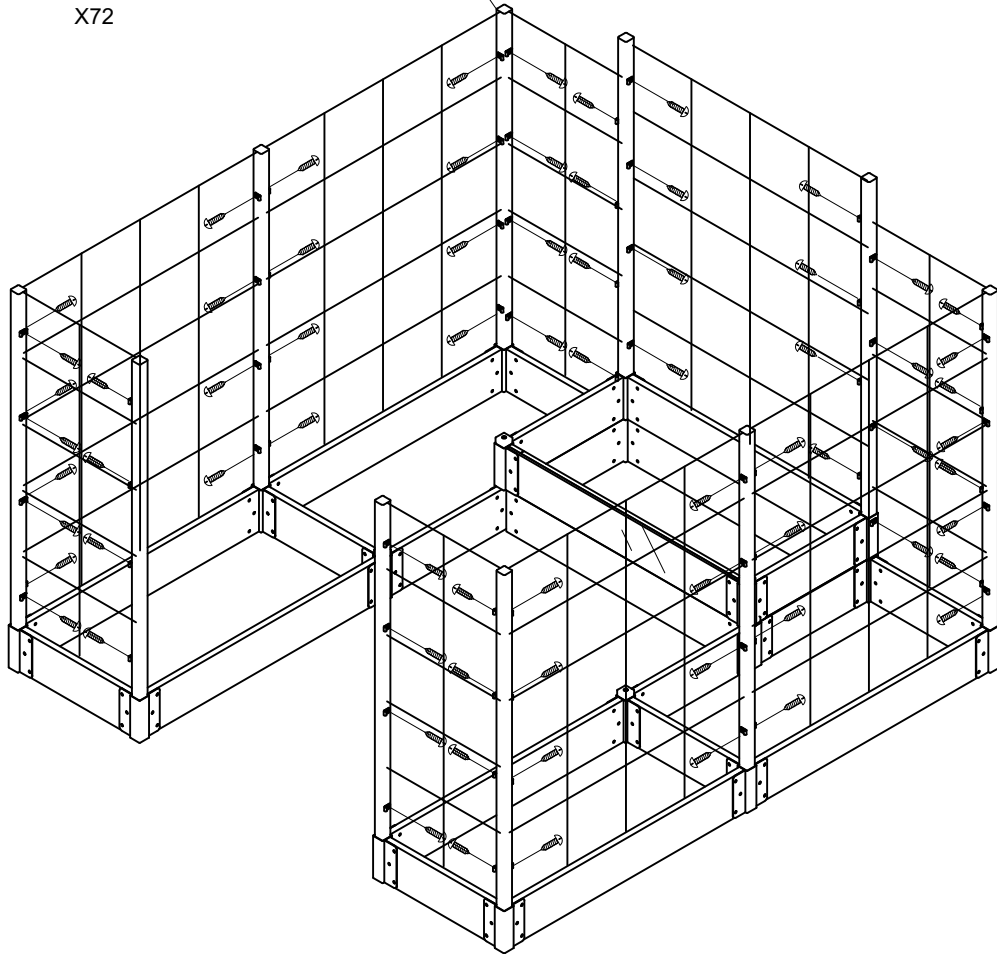
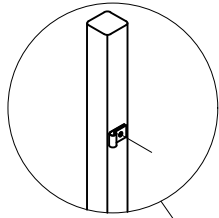
8



9

(M4*16)
X72

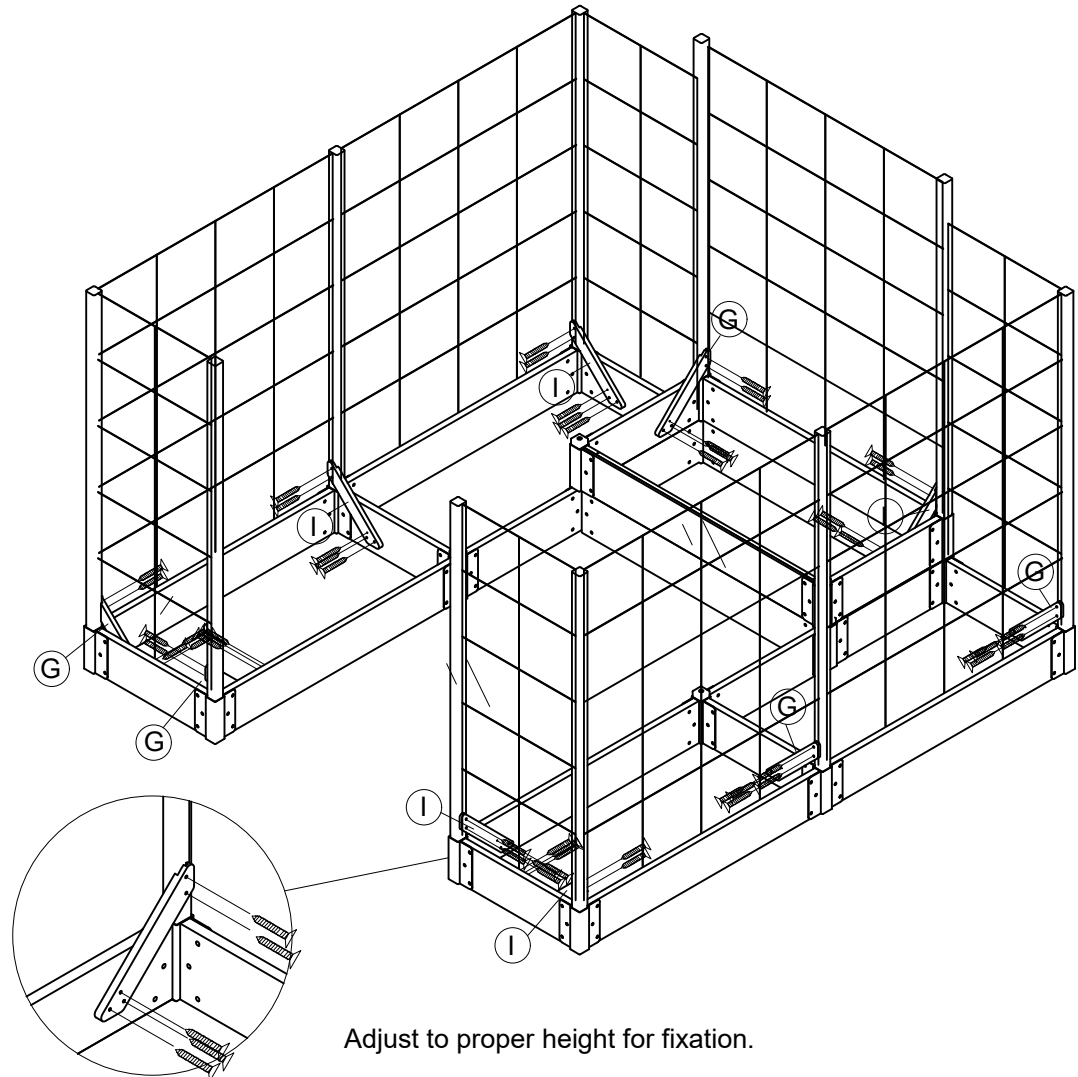
X72



we recommend 2 people are required for assembly
of trellis (one person to hold trellis in place)

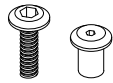
10

(Ø4*30)
X50

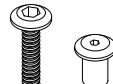


Adjust to proper height for fixation.

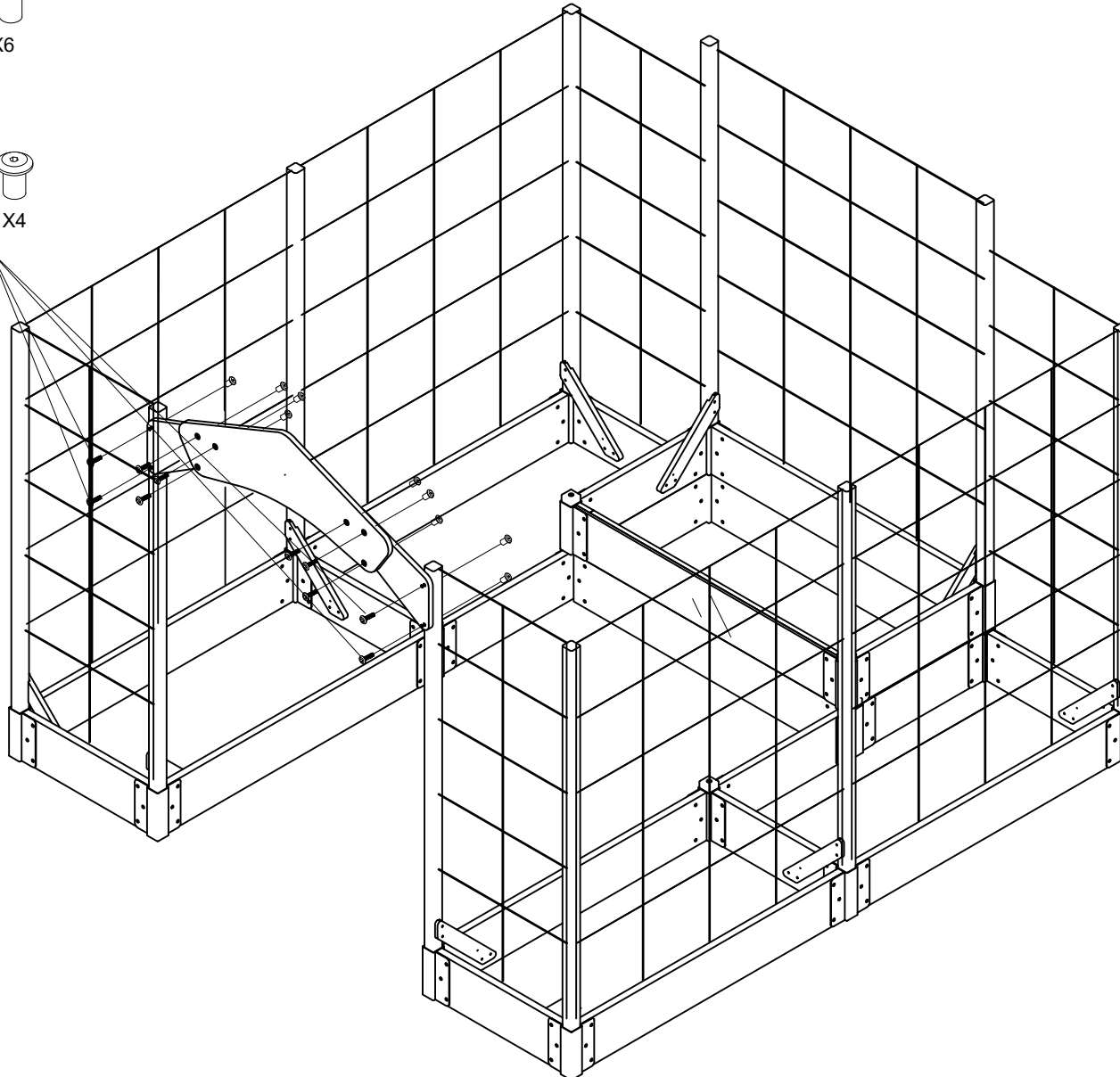
11



X6 X6
(6*20)



X4 X4
(6*45)



CAUTION:

- Do not allow children to climb on shelves.
- Do not use as a ladder or cart.

CARE AND CLEANING

- Clean wood with a damp cloth or sponge using warm water and mild soap. Wipe dry.
- Do not place near heat, moisture or vaporizer which may cause wood to warp and peel.
- Check for loose or worn parts periodically and tighten or replace as necessary.

1 YEAR LIMITED WARRANTY

We will supply, without charge, any part discovered to be missing at the time of purchase or found to be defective during the 1-year warranty period. The warranty begins on the date of purchase. We will replace without charge any part found to be missing at the time of purchase, damaged on delivery or defective during the first year of use. This warranty does not cover any damage caused by accident, improper care, negligence, normal wear and tear, surface corrosion on metal parts, discoloured surfaces and other cosmetic issues or failures due to misuse or vandalism. Natural changes in wood over time are considered cosmetic issues and are not covered.

Record the manufacture date here. Information is located on a label enclosed, and on the shipping carton. Place label and this sheet in an accessible place.

Model Number: **HW1-S256-V01-A**

Manufacture Date: _____

Fasten your Hex Key Tool in the box below and keep in a convenient place for future use.

Blue liners are supplied as optional extras - they are not necessarily required for soil base. However they will help extend the life of your planter box and will reduce water flow if planter is used on solid floors (for example concrete)