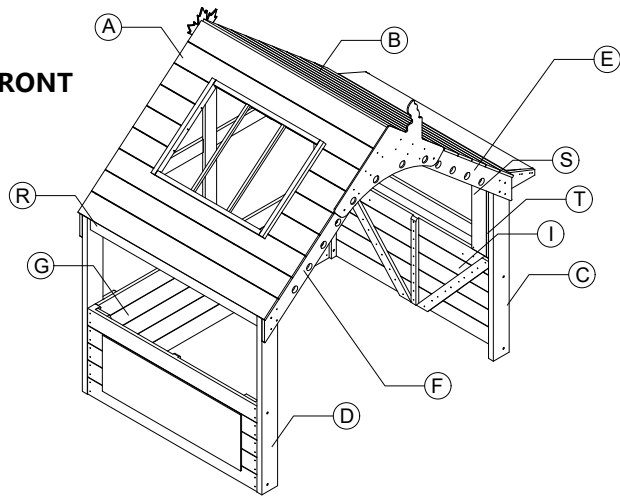
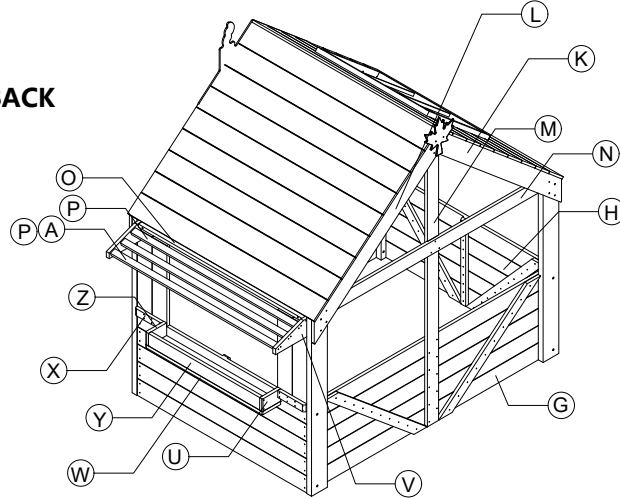


HW1-S020-V01-A

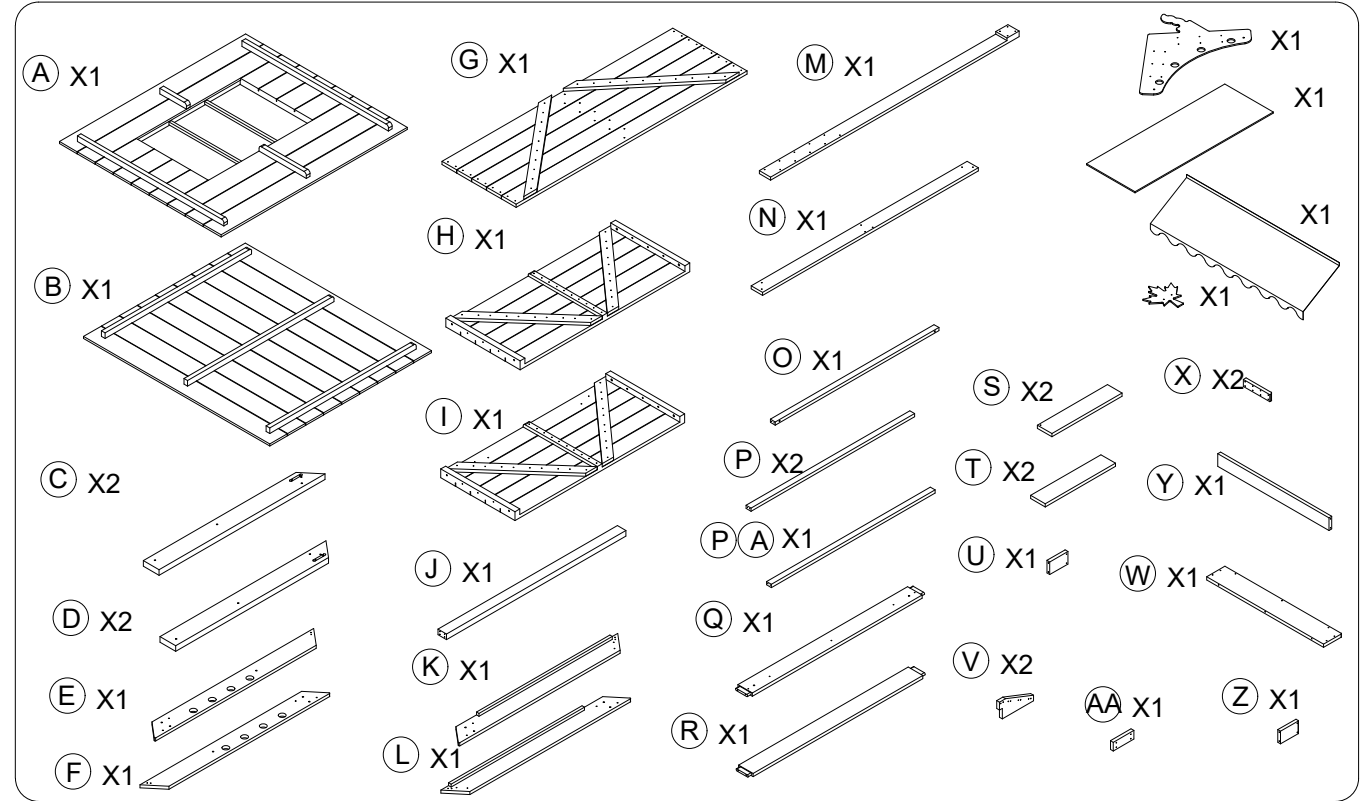
FRONT



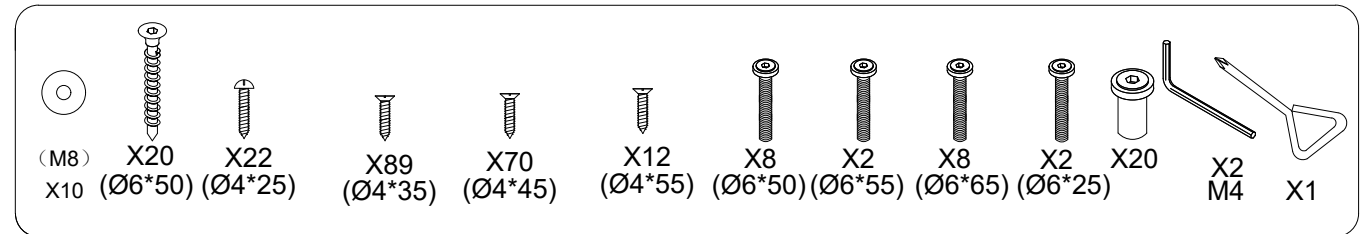
BACK



PART LIST



HARDWARE



WARNING:

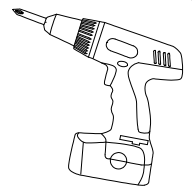
- Contains small parts, sharp points and edges.
- Adult assembly required.
- Two adults recommended.
- Do not stand, sit, kneel, lean or pull on unit for support.
- Never leave children unattended.
- Adult supervision recommended.
- Do not place unit near high heat.

TIP!
DO NOT FULLY
TIGHTEN SCREWS
UNTIL ALL SCREWS
HAVE BEEN LOOSELY
POSITIONED.

BEFORE
ASSEMBLING,
MAKE SURE THERE
ARE NO
MISSING PARTS.

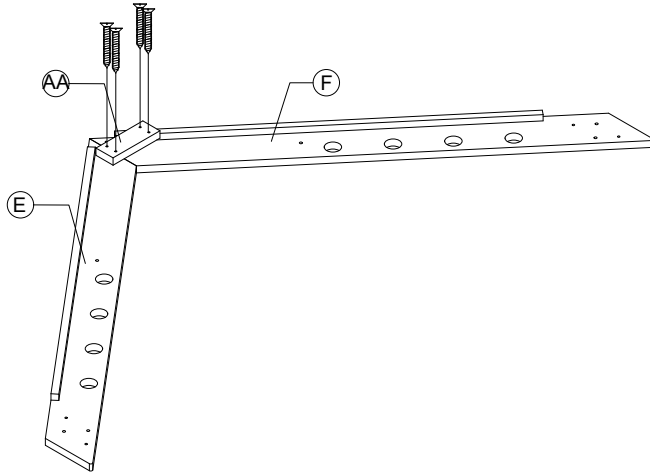
NOTE / HINWEIS:

AN ELECTRIC SCREWDRIVER
WILL BE RECOMMENDED FOR
ASSEMBLY (NOT INCLUDED)



1

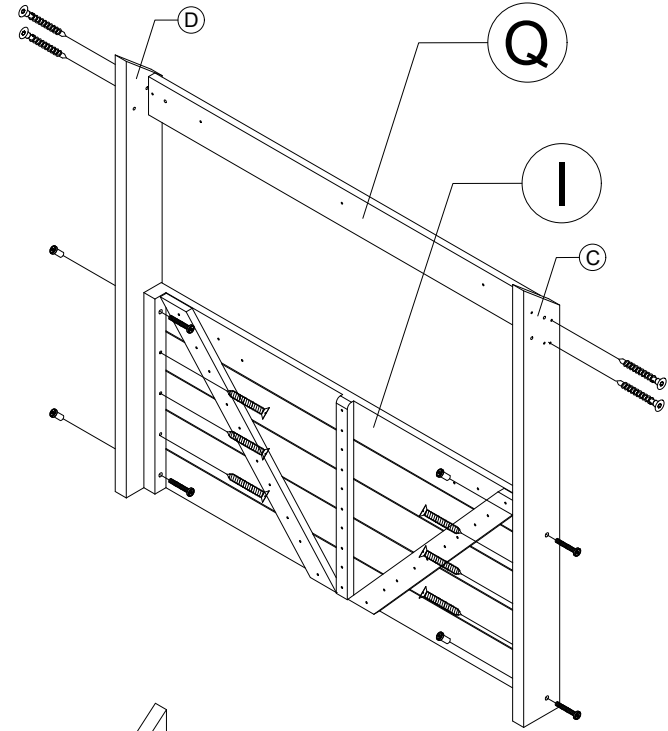
X4
(Ø4*35)



3

X6
(Ø4*55) X4
(Ø6*65) X4

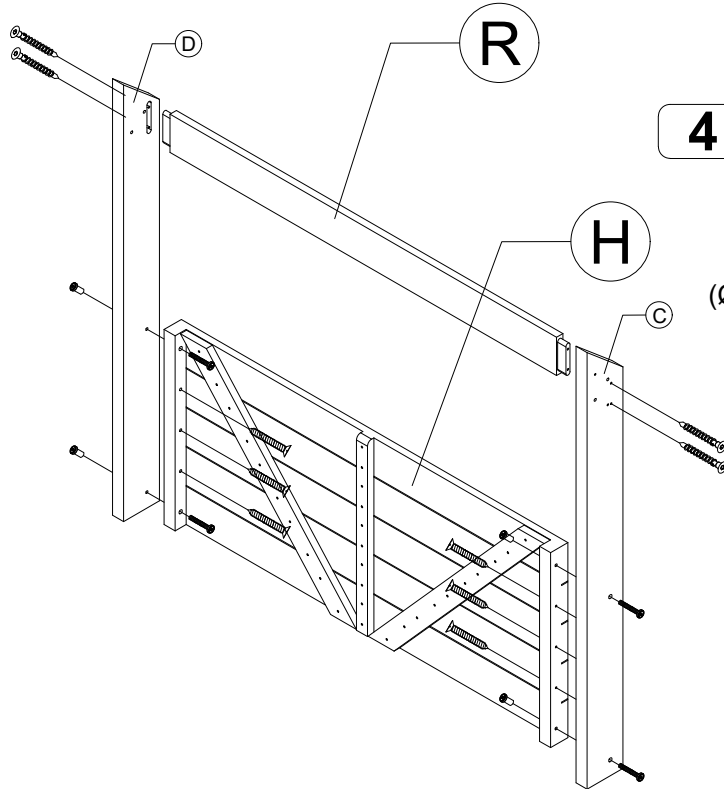
X4
(Ø6*50)



2

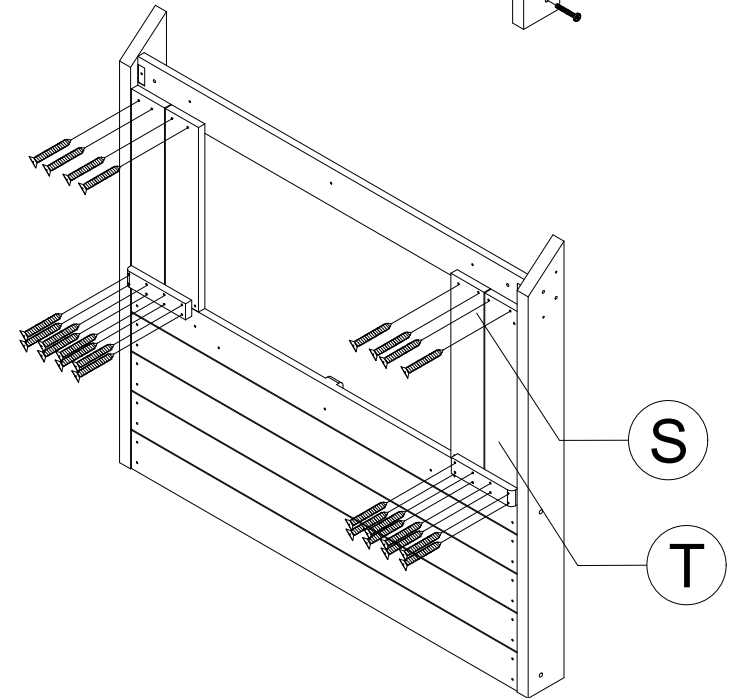
X6
(Ø4*55) X4
(Ø6*65) X4

X4
(Ø6*50)



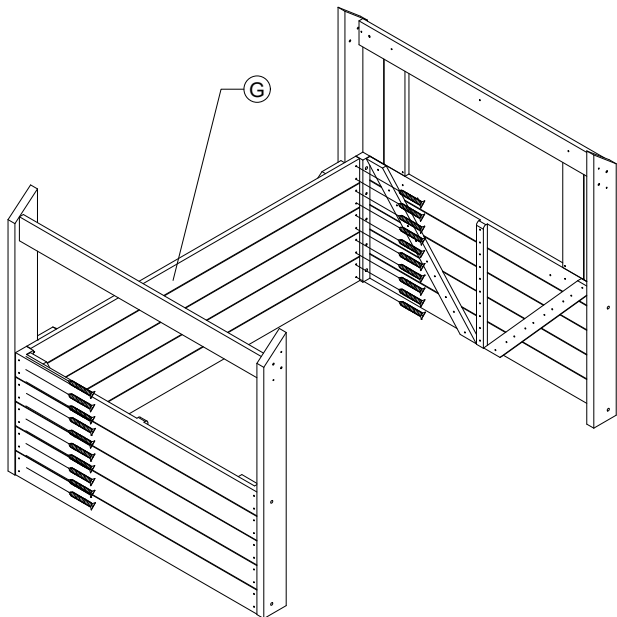
4

X24
(Ø4*35)



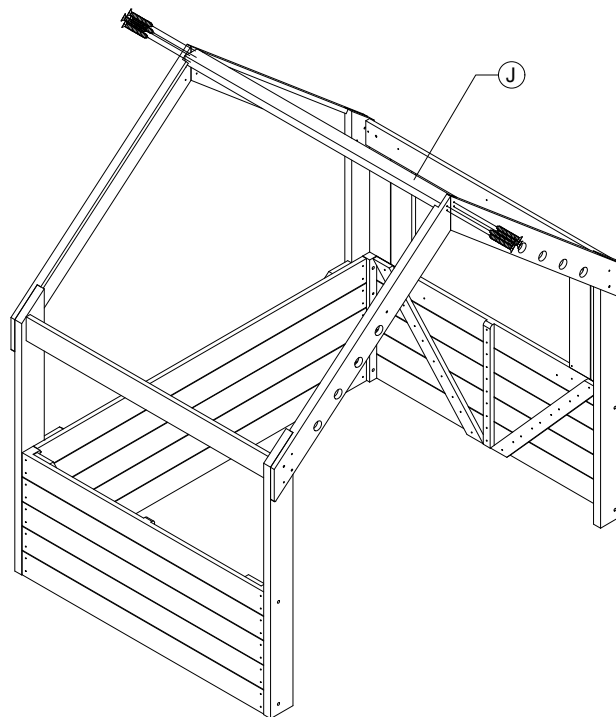
5

X20
(Ø4*45)



7

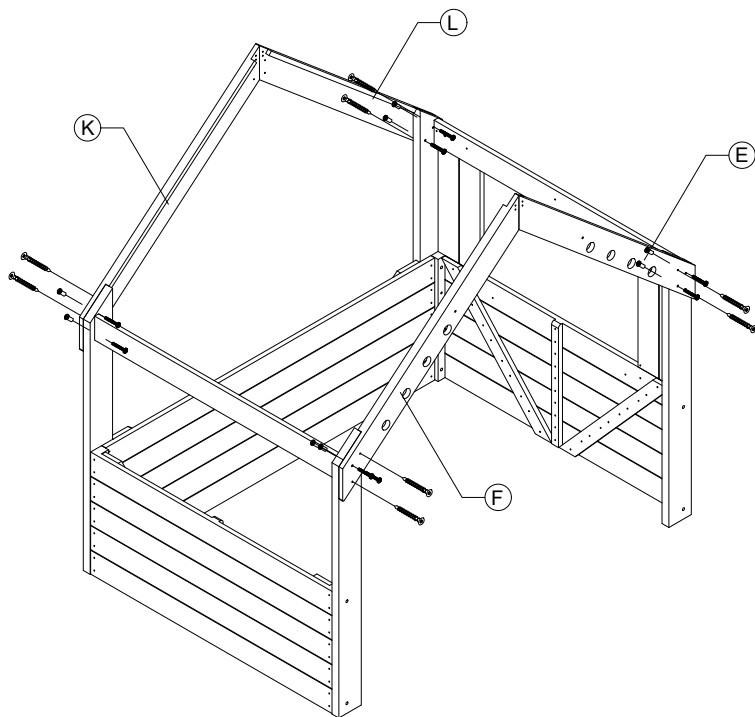
X8
(Ø4*45)



6

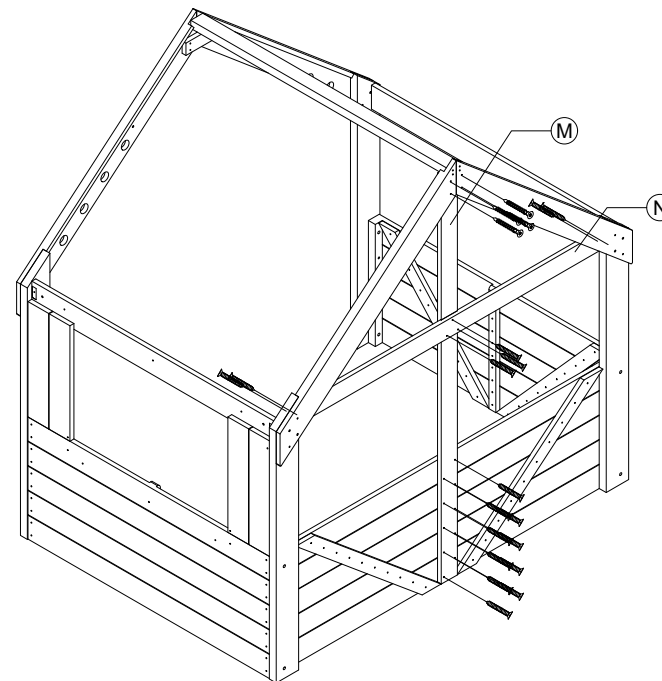
X8 (Ø6*50) X8

X8
(Ø6*50)



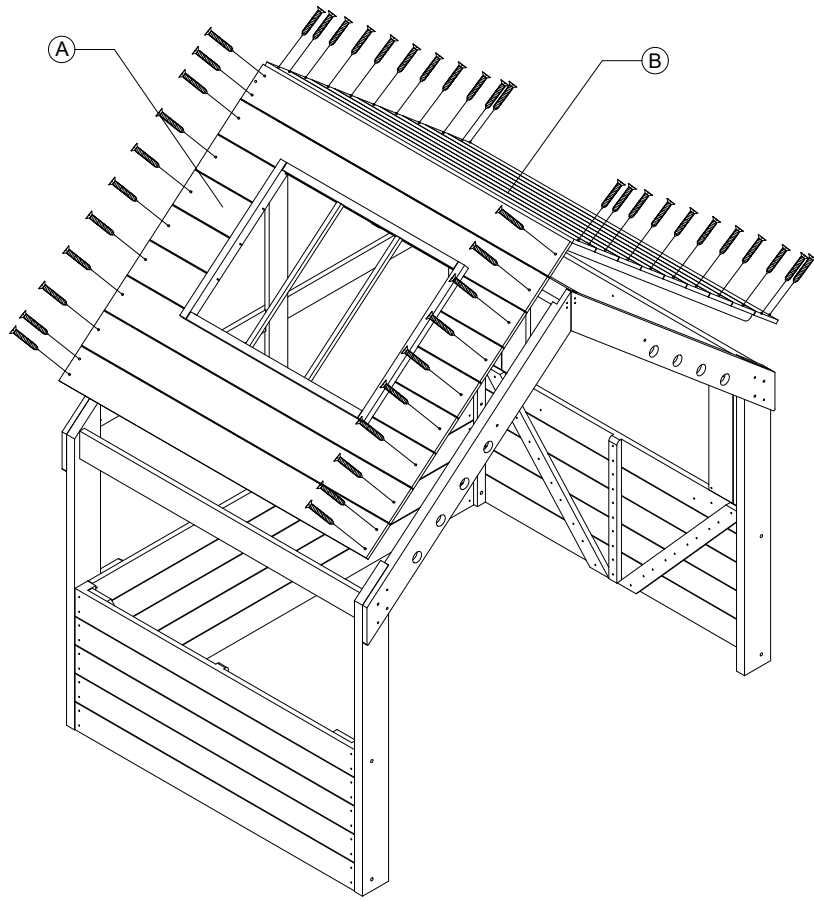
8

X17 (Ø4*35)
X4 (Ø6*50)



9

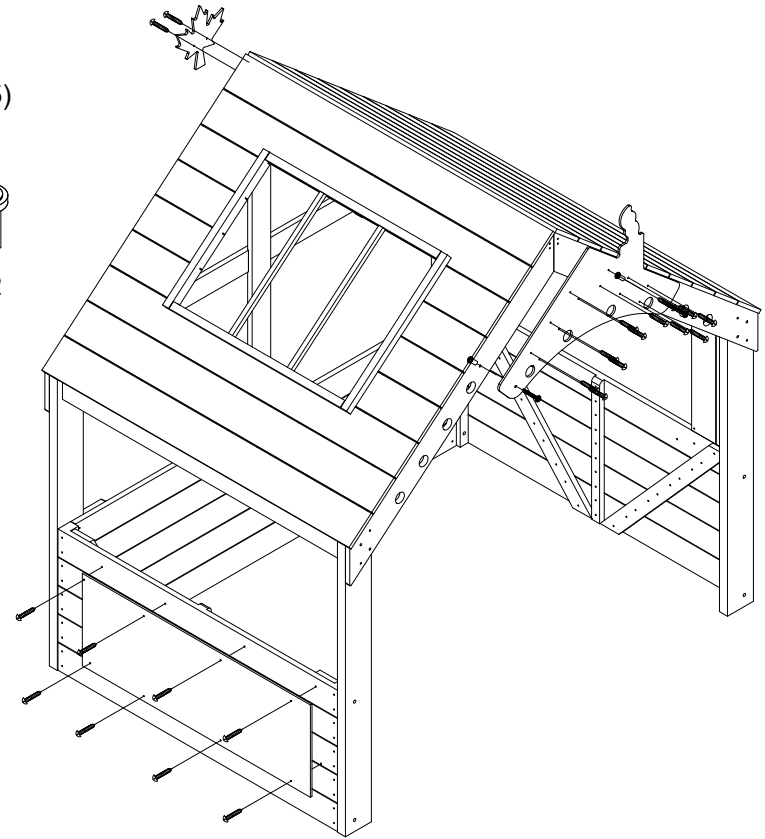
X44
(Ø4*35)



10

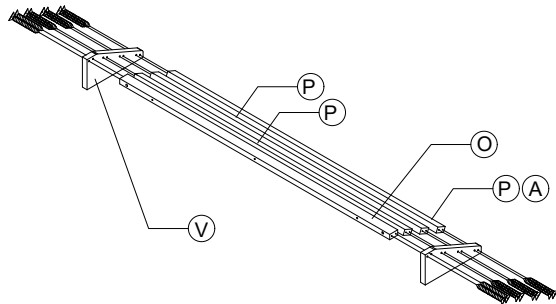
X22
(Ø4*25)

X2
(Ø6*25) X2



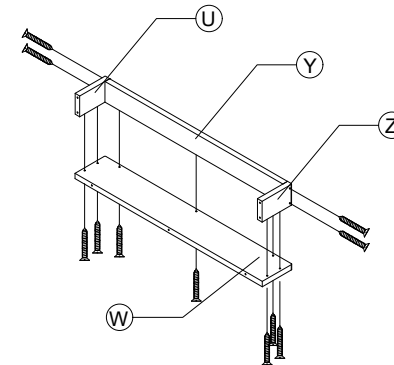
11

X16
(Ø4*45)



12

X11
(Ø4*45)



13



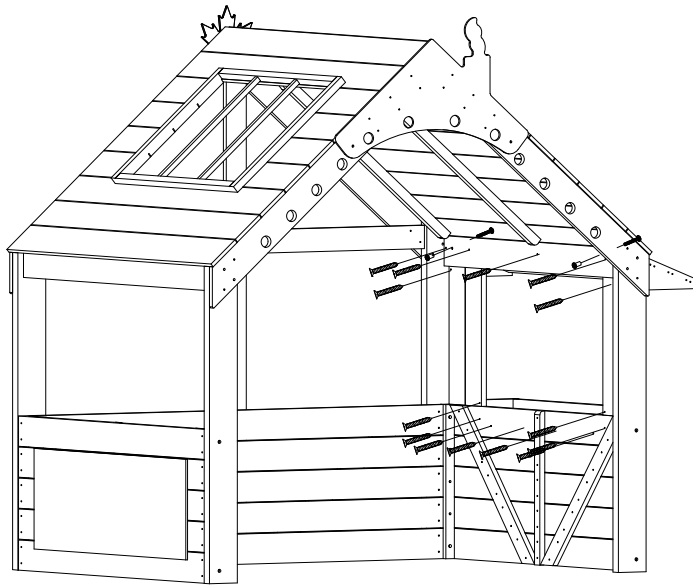
X15
(Ø4*45)



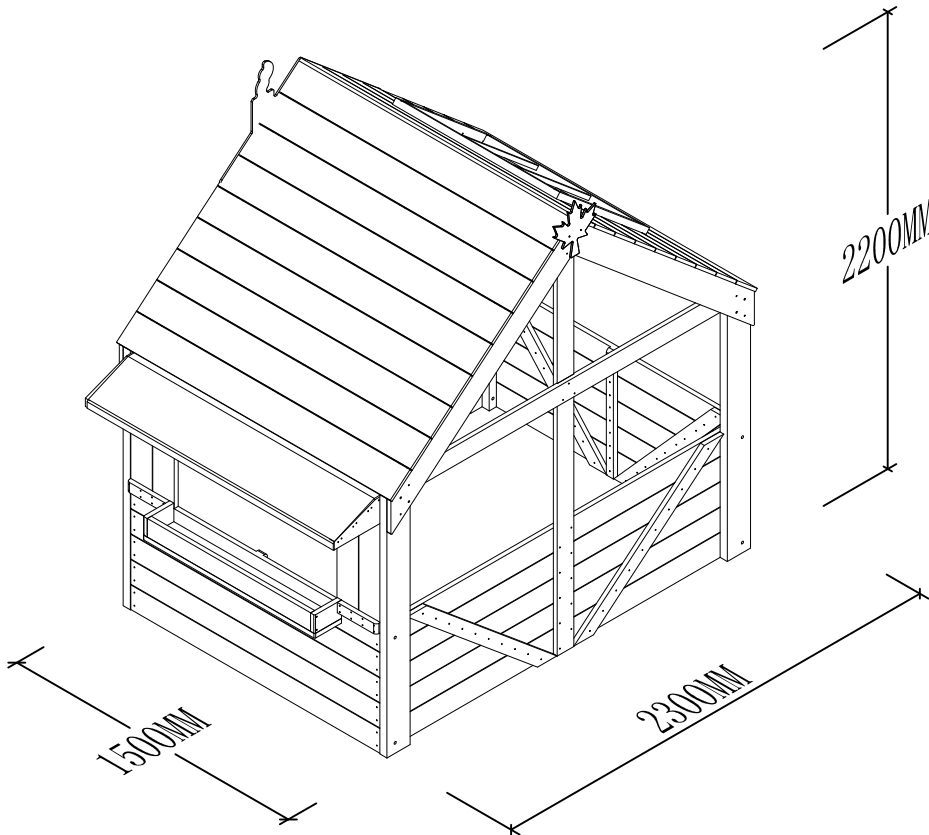
X2
(Ø6*55)



X2



14



CAUTION:

- Do not allow children to climb on shelves.
- Do not use as a ladder or cart.

CARE AND CLEANING

- Clean wood with a damp cloth or sponge using warm water and mild soap. Wipe dry.
- Check for loose or worn parts periodically and tighten or replace as necessary
- Do not place unit near high heat.

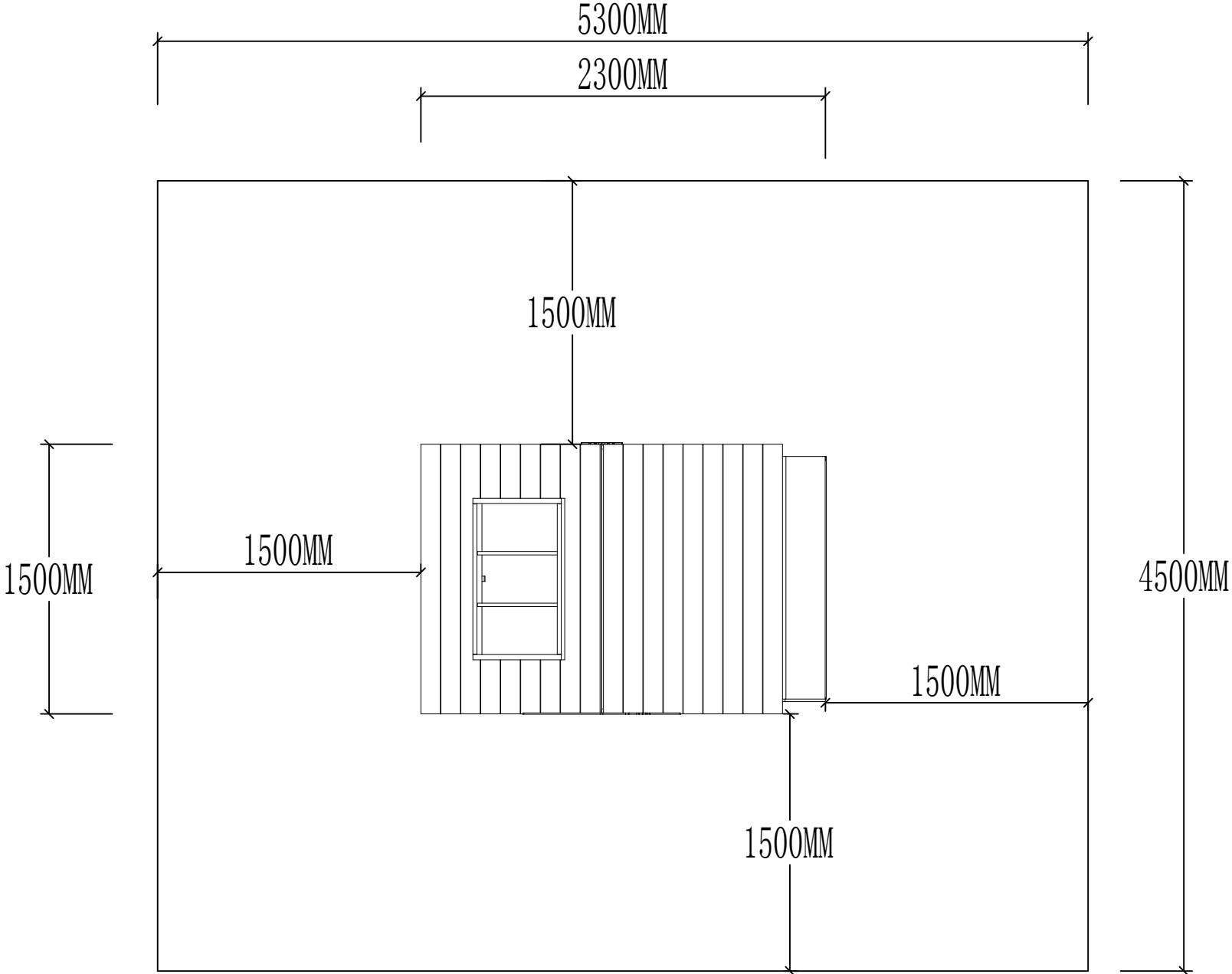
Record the Batch-Number here. Information is located on the shipping carton and / or the product itself. Keep this sheet in an accessible place.

Model Number: **HW1-S020-V01-A**

Batch-Number: _____

Distribution:
Wisdom Education Europe
 Zum Poppchen Gut 3
 09526 Olbernhau
 GERMANY
 www.wisdomeurope.com

safety range of product:5300*4500MM



INSTRUCTION MANUAL

Description: Outdoor Play House

Item Code : **HW1-S020-V01-A**

Manufacturer: Wisdom Educational Product Co.,Ltd

Manufacturer Address: Building 4, Lane 2777, Baoan Road, Malu

Town, Jiading District, Shanghai, China

Test standard: EN 1176-1:2017,EN 71-2

Overall Dimension: 230*150*222 CM

Weigt: NW:115KG,GW : 124KG

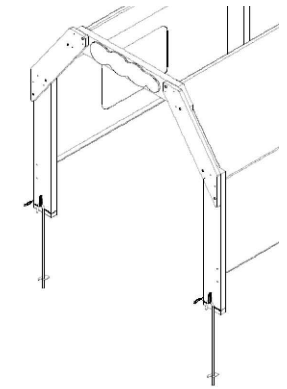
INSTALLATION INSTRUCTIONS

- 1.Ensure the area is safe and devoid of any hazards prior to assembly,The minimum space will be:330*250cm.
- 2.A minimum of two adults are required for assembly.
- 3.The product and materials are intended for indoor or outdoor use under supervised conditions.
- 4.Check the quantity of spare part based on spare part list before assembly.
- 5.When installing,ensure ground is either a soft fall surface,or protected by a soft material such as cardboard or a blanket when assembling to avoid frame scratching.
- 6.Tighten all bolts after assembly.
- 7.Removal all assembly materials and tools from the play area before the equipment is used.
- 8.During the process of incomplete installation, disassembly, or maintenance, the children should stay away from the product to ensure safe.
- 9.The product can be fixed to the ground, and the below is the assembling intruction.(The anchor should be purchased from the manufacturer separately.)

Instnction of anchor for grass ground

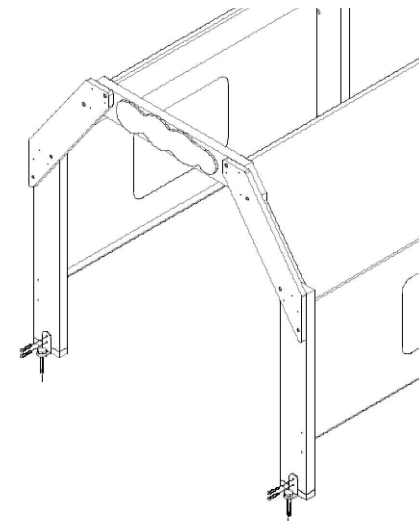
- 1) Firstly determine the coordinate points that need to be fixed to the product. With the digging tool, dig 46CM downward the grass, bury the grass anchor, then tamp the soil.

- 2) Fixed the product on a suitable position, use the fabric loop to hook the grass anchor and fix the fabric loop to the suitable position with M4*25 tapping screws to complete the installation.



Instnction of anchor for cement floor

- 1)Firstly determine the coordinate points that need to be fixed to the product, and use the electric drills with M10 drilling bit to drill downward the cement floor to a depth of 10-12CM.
- 2) Place the product that needs to be fixed in a suitable position, and fix it on the ground with an L-shaped corner connector and M8*100 expansion screws.
- 3) Use M4*25 tapping screws to connect the L-shaped corner connector to the corresponding position to complete the installation.



INSTRUCTIONS

1. Please read the instructions and warning labels carefully before use.
2. Inspect items and play area for any potential hazards prior to use.
3. Maximum number of people using the equipment at the same time is 2 .
4. User age group: 3 ~ 14 years old.
5. Never leave children unattended. Ensure constant adult supervision.
6. Please pay attention to the safety of the surrounding environment before use and avoid use under bad weather conditions.

7. Instruction for anchor

Anchor for grass ground: Check once a month to ensure that the embedded anchor and the self-tapping screw is not loose, and the fabric loop is not broken. If the anchor is loose, need to be covered with soil for reinforcement. If the screw is loose and fabric loop is broken, need to replace it in time.

Anchor for cement floor: Check once a month to ensure that each expansion screw is not loose. If it is loose, please replace it in time.

8. No climbing.

The height of all stepping positions are less than 60cm.

9. If the material is damaged and needs to be repaired, please contact the manufacture to repair or replace.
10. Please ensure that the installation ground is horizontal during installation and keep it horizontal during use.

MAINTENANCE

1. Clean with a moist cloth.
2. Use neutral cleaners for cleaning.
3. Regularly inspect the product.
4. Follow the below inspection cycle to adequately inspect the product.
5. Fill in the inspection record after the inspection.

INSPECTION INFORMATION

Inspection cycle	Inspection Project	YES/NO	Solution	Signature
Daily Inspection on Items	Check screws, bolts and fasteners are tightened.			
	Installed on a flat surfact and no hazards are present.			
	Equipment is free of dirt and moisture.			
	Hook and loop attachments are securely fastened.			
	Check for a signs of damage and wear.			
Monthly Inspection on Items(Except for Daily Inspection on Items)	Check screws are free of rust and damage.			
	Check parts are securely connected.			
	Check compliance labels are intact.			
Annual Inspection on Items(Except for Daily and Monthly Inspection on Items)	Check there is no extensive corrosion and replace if required.			
	Check for cracking or connecting part deterioration. Replace if required.			
	Check there is no excessive discolouration of components.			
	Check screws and connectors are in working order and not damaged or deteriorated.			
	Check compliance labels are legible.			
	Check the play area under the equipment is safe and level.			