

Tools

Philips Screwdriver



Allen Key (supplied)



Check List

Familiarise yourself with the contents



Check there is nothing missing



Check you have all the tools required



Make room to assemble the product

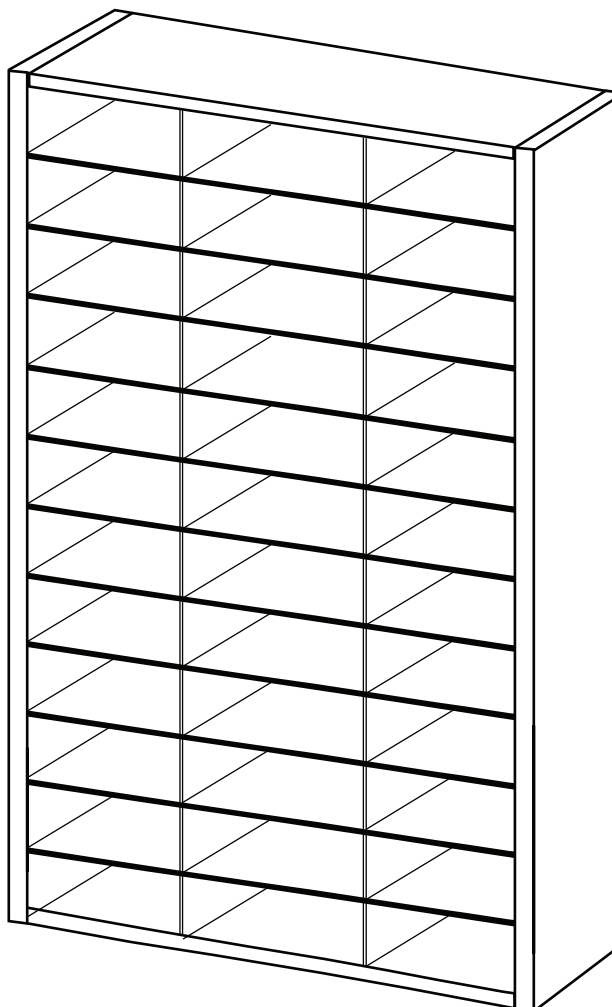


Assembly Instructions

36 SECTION LITERATURE ORGANISER

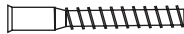

Code: AB488




Before starting to assemble this unit please read the step by step assembly instructions carefully.



**Contact Number
0151 479 3030**

Profile Education

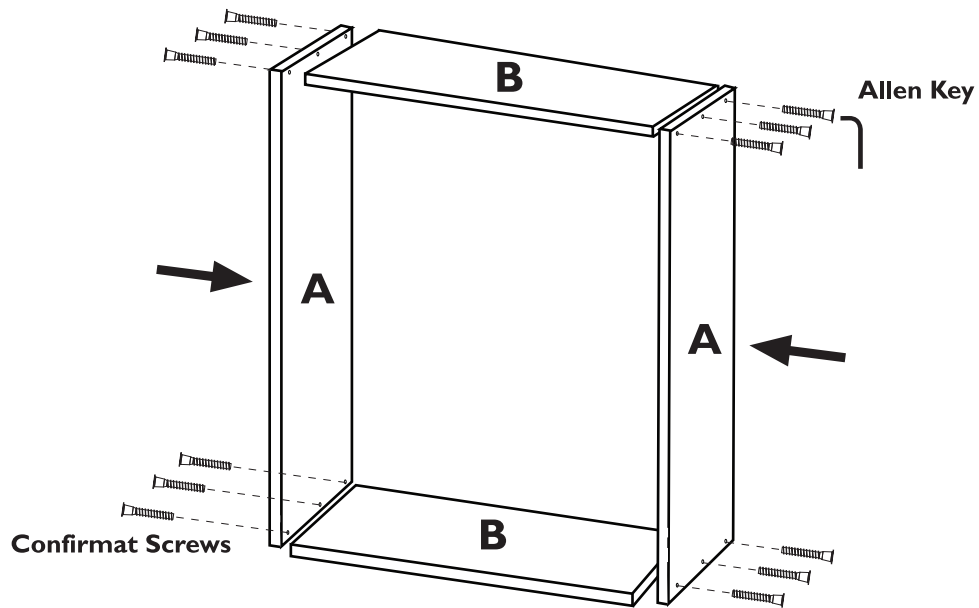
Components		Quantity
Confirmat Screws		12
Screw Caps		12
Trims		11
3/4" Nails		40
Allen Key		1

Panels	Quantity	Size (mm)
 END A	2	880x300mm
 TOP/BOTTOM B	2	704x300mm
 BACK C	3	875x243mm

Contact Number
0151 479 3030

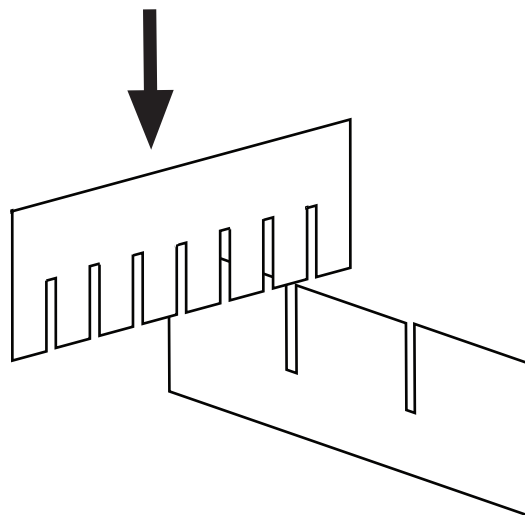
Step 1

Secure ends A to top and bottom using 12 Confirmat Screws



Step 2

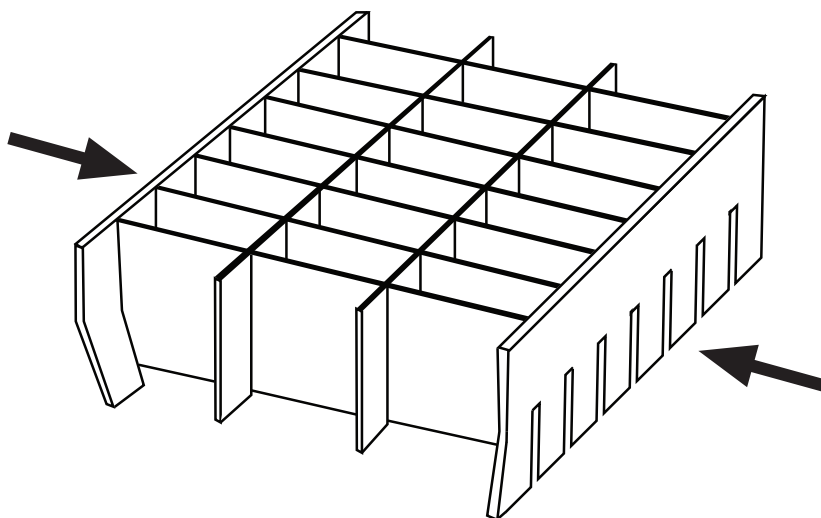
Slot cardboard partitions together as shown



Contact Number
0151 479 3030

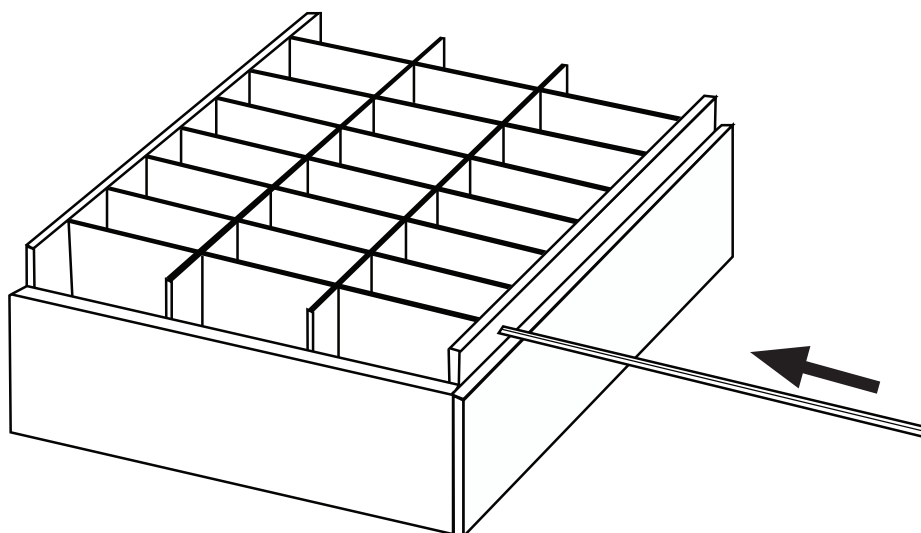
Step 3

Position end partitions - flex partition 'tails' inwards



Step 4

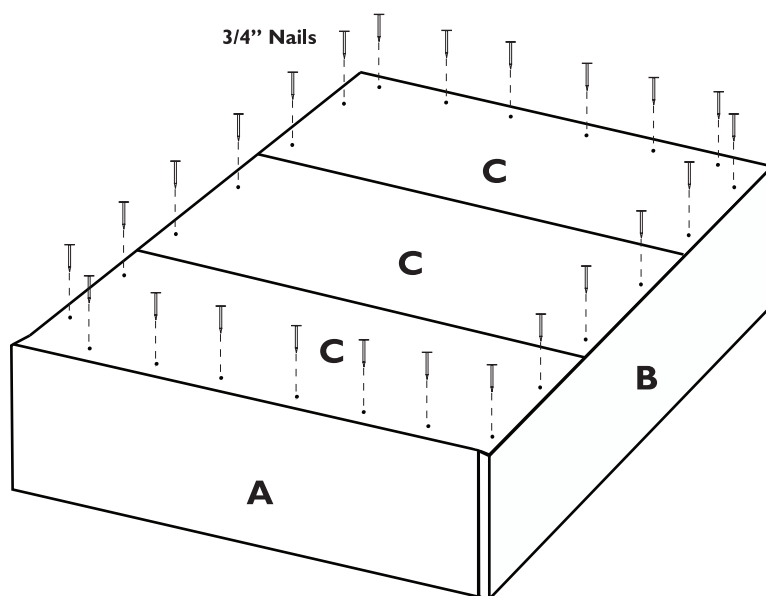
Position unit face up on floor. Lower partition assembly into the unit and slide a channel on to partition before partition is flush with ends



Contact Number
0151 479 3030

Step 5

Carefully turn unit over. Position back panels as shown and secure with nails.



Contact Number
0151 479 3030